

Portable Electric Scooter

A new era in urban mobility

USER MANUAL

BOOSTER PLUS

Congratulations on your purchase!

This manual has been carried out for you to receive important information which will help you to use the E-TWOW scooter safely



CONTENTS

WARNING.....	3
SAFETY	4
MAIN PARTS	5
FOLDING/ UNFOLDING STAGES	6
Folding stages	6
Folding steps	6
Unfolding steps.....	7
OPERATION.....	8
1. Basic instructions.....	8
2. Operating Instructions.....	8
a) ON/OFF	8
b) Speed control.....	8
c) Breaking Control	8
d) Horn.....	8
e) LED Headlight.....	9
f) Mileage Show	9
g) Emergency braking.....	9
3. Display factory setting.....	9
MENU for SPEED LIMIT	10
MENU for SETTING.....	10
RIDING OPERATION	11
Getting Ready!.....	11
Start	11
Brake	11
Cruise control	11
Zero start	11
Maximum Speed Limitation	11
BATTERY AND CHARGER	12
Battery	12
Charger.....	12
Charge Description	12
MAINTENANCE	123
Lubricating	133
Battery	133
Storage and care	133
GENERAL TROUBLESHOOTING	13
PRODUCT SPECIFICATION SHEET	14



WARNING

YOU MUST READ AND FOLLOW ALL INSTRUCTIONS AND WARNINGS IN THIS MANUAL in order to ride safely and avoid injuries, collisions or loss of control.

Check local laws and regulations to see where and how you may use your **E-TWOW** scooter legally. Obey to all applicable laws for vehicles and pedestrians from your country.

This manual includes basic operational instructions for the E-TWOW scooter. It cannot cover all situations of hypothetical injury. **OPERATORS MUST USE GOOD JUDGMENT AND COMMON SENSE TO DETECT AND AVOID HAZARDS AND DANGERS** that they may encounter when riding the E-TWOW. By using the E-TWOW scooter, you accept of the inherent risks of operating this product.

IMPROPER USE OF THE PRODUCT AND NOT FOLLOWING THESE WARNINGS CAN CAUSE SERIOUS INJURIES.

ALWAYS USE CAUTION!

SAFETY

1. The product is only for adults (above 18 years). Please do not carry two adults at the same time. Is not suitable for minors.
2. Always inspect the scooter prior to use. Properly inspecting and maintaining your product can reduce the risk of injury.
3. Please wear your safety helmet and other protective equipment when riding. Use an approved bicycle or skateboard helmet that fits properly with the chin strap in place and protects the back of your head. Local legislations may require riders of two wheel products to wear a helmet and other protective gear. Never ride the scooter barefoot or in open-toed shoes or high-heels.
4. Do not ride in traffic lane or unsafe roads and do not break the regulations in your country.
5. Please exercise in wide areas, and ride only after you have a good control of the scooter.
6. Do not make any dangerous actions when riding or riding with one hand. Keep your feet on the scooter's platform.
7. Do not attempt to ride the scooter on stairs that are above 3 cm, it may overturn causing injuries and/or damages to the rider and/or scooter.
8. Highest speed is 30 Km/h. For your safety, please limit the speed to 20 Km/h. Please try to avoid using it at night, if needed, please limit the speed within 12 Km/h or less and turn the headlights on.
9. We don't recommend using the scooter when the outside temperature is lower than 0°C.
10. Please slow down or get off from the scooter when riding in poor road conditions.
11. Do not ride the scooter in oily or icy surface terrain.
12. Please adjust the handlebar according to your height to ensure a safe riding.
13. To avoid damages of the electrical parts of the vehicle please do not immerse the scooter in the water with the depth of more than 4 cm and do not wash it with water under pressure.
14. For protection, please do not ride the scooter in bad weather such as heavy rain and snow.
15. Do not drink alcohol and drive **E-TWOW** scooter.

MAIN PARTS



1. Handlebar
2. Display
3. LED headlight
4. Hooter
5. Lock lever

6. Folding hook
7. Battery charging jack
8. Folding lever
9. Folding axle
10. Rear brake

FOLDING/ UNFOLDING STAGES

Folding stages



A – Unfolded



B – Folded handlebars



C – Fully folded

Folding steps

1. Open the **lock lever**, as shown in figure (a) and (b).
2. Press the **red button**, figure (c), at the same time press down handlebars as shown in figure (d) and push the **lock lever** to the lock position.
3. Hold the **handlebar** with both hands, push buttons shown in figure (e). Pull out the **handlebar** grips, figure (e), up to the maximum and fold downwards to maximum like in figure B, from above.
4. Push the **handlebar** forward when you press the **folding lever** in the direction of the arrow in the figure (f).
5. Continue folding the scooter until the **folding hook** reaches the **opening** located on the **rear brake**, as detailed in figure C from above.



(a)



(b)



(c)



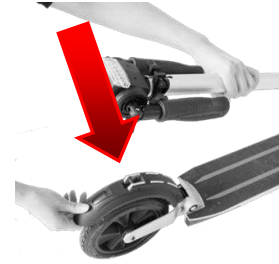
(d)



(e)



(f)



(g)

Unfolding steps

1. Press the **rear brake fender** in the direction of the arrow, as shown in figure (h), until the **folding hook** is released from the opening located on the rear brake. Then, lift the **handlebar** until it reaches the normal position and the **locking bolt** comes into place, like in figure (i).
2. Raise the two handles of the **handlebar** until they automatically return to the normal position, figure A.
3. Push the **lock lever** like is shown in figure (a) and (b) and lift the handlebars to the desired height. Now press the button shown in figure (c) and secure it in one of the two holes, as desired. Then close the lock lever and make sure that you always keep the lever secured and tightly closed.



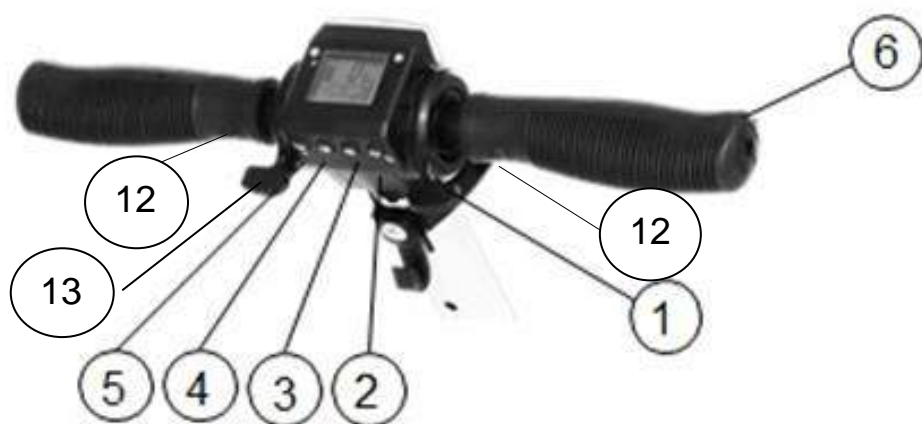
(h)



(i)

OPERATION

1. Basic instructions



1. Thumb accelerator
2. Switch button handlebar
3. Setting button
4. On/Off light button
5. Horn button
6. Handlebar
7. Square tube
8. Folding bar
9. Front fender
10. Battery front cover
11. Protection cover
12. Folding buttons
13. Thumb electronic magnetic brake



2. Operating Instructions

a) ON/OFF

Press the switch for 3 seconds, and the display will light up, indicating that the power is on. Press for 3 seconds if you want to turn it off. The scooter will turn off if you don't use it for more than 3 minutes.

b) Speed control

Press the right thumb lever accelerator to control the speed (1-30 km/h).

c) Breaking Control

Press the left thumb lever and the electronic magnetic brake will be activated. The more you press, the greater the braking force will be.

d) Horn

If you turn on the power, when pressing the horn button, it will honk.

e) LED Headlight

In manual mode: Press the ON/OFF Light button when needed and there will be a sign in display indicates the light is turn on. Press the button again when you do not need the light. Keep pressed for a few seconds.

The scooter is equipped with a sensor light that detects the need of light. The light will turn on automatically (auto light mode) if the sensor detects poor ambient light.

For example: when is cloudy weather and the auto light mode is on, the light turns on. If the daylight is proper, the auto light mode detects the light and the headlights will go off after 5 seconds.

On auto light mode, the display is also lighted depending on the ambient light.

If the scooter is on auto light mode, you can go to manual mode by pushing the ON/OFF Light Button until the sign “Auto” disappears from the screen.

When the ON/OFF light button is turned off, it will stop the front light and, also the rear stop light. In this situation, the stop light will turn on only when the brakes are used.

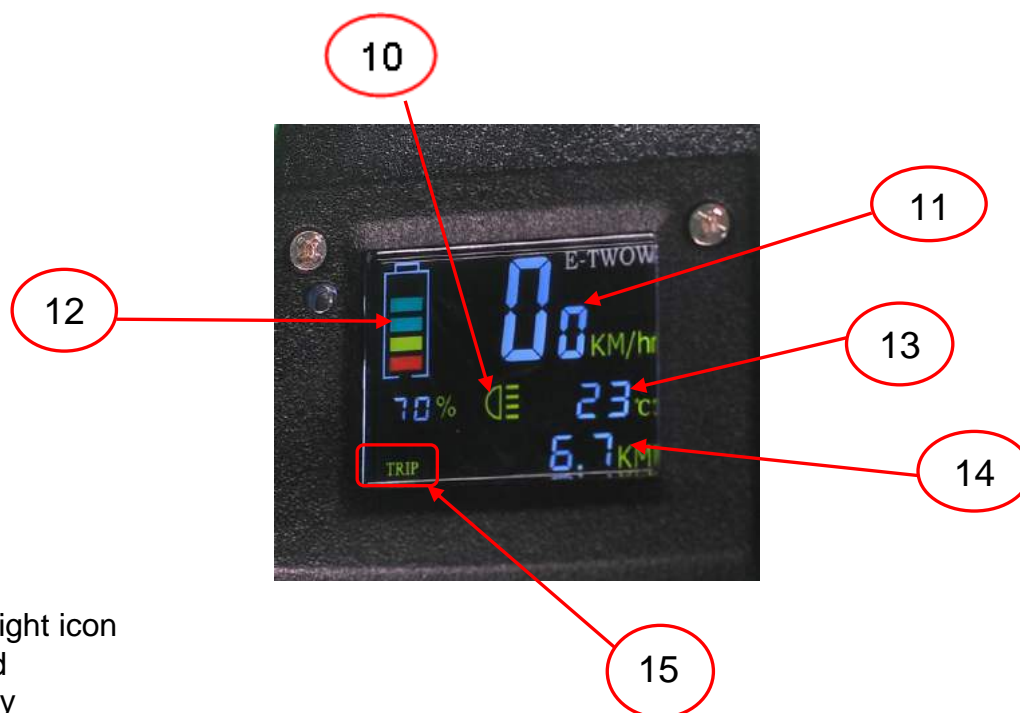
f) Mileage Show

When the display is powered, it displays 2 modes: total and trip. You can change it by pressing the settings button. In 'trip' mode, press the setting button (S) for 3 seconds and it will clear the trip.

g) Emergency braking

In case you need fast braking, it's recommended to use the foot brake

3. Display factory setting



10 – Headlight icon

11 – Speed

12 – Battery

13 – Temperature

14 – Displays the total or trip distance

15 - Trip total (ODO) or total mileage from the last reset (TRIP)

MENU for SPEED LIMIT

a. To set up speed limit:

- Turn off the display
- Press and hold thumb brake
- Power the display

The display will show " L1"

b. Move to menu with button [LIGHT] L1-L2-L3-L4-L5

- To set up and save the speed limit, press button[SET]
- To finish the settings, release thumb brake.



- L1 = Limit the speed to 6 km/h
- L2 = Limit the speed to 12 km/h
- L3 = Limit the speed to 20 km/h
- L4 = Limit the speed to 25 km/h
- L5 = Limit the speed to 30 km/h

MENU for SETTING

a. To set up one of this program:

- Turn on display
- Press and hold thumb brake
- press the button [POWER]

The display will show: P1

b. Move to menu with button [LIGHT] P1- P2- P3

To set up and save the setting, press key [SET]

TO finish the settings, release thumb brake.



- P1 = Zero Start [ON/OFF]
- P2 = Cruise Control [ON/OFF]
- P3* = Acceleration [ON/OFF]

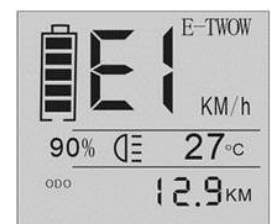
*P3 – Turns off the acceleration so that both handles become generative brake handles

ERROR CODE

E1 - Overcurrent protection (Motor does not move more than 4 seconds) - this error clears after release the acceleration throttle.

E2 - Communication error (No communication for more than 400ms) - this error clears when starting the communication.

E3 – Overvoltage error (Battery voltage higher) – this error clears if you put back the original battery.



RIDING OPERATION

Getting Ready!

1. Choose a suitable venue for riding.
2. Unfold the scooter in accordance with the instructions.
3. Adjust the handle bar to the suitable height according to your stature.

Start

1. Press the power button to turn on the power.
2. Stand one foot on the scooter and leave another foot on the ground.
3. Gently press down on the right thumb accelerator, the scooter will immediately move forward slowly. Place the foot which is on the ground on the scooter. With your right thumb press the right thumb accelerator. The bigger the pressure, the faster it will go.

Brake

1. Electromagnetic brake - pressing the left thumb electronic magnetic brake will activate the electromagnetic brake, which will power off the scooter and apply the brake. The more you press, the greater the braking force will be.

2. Mechanic brake - E-TWOW also has a mechanic brake, which is activated by pressing with the foot on the rear fender. This also activates a sensor that stops the front wheel motor.

Cruise control – P2

This option allows the user to set and maintain a constant speed, without keeping the acceleration lever pressed. Press the acceleration right thumb and keep the same speed for 5 seconds and the cruise control will automatically begin. Then you can release the acceleration lever, and the scooter will continue cruising with the same speed. You can switch the function off easily as well, by pressing the brake or acceleration lever gently. The cruise control function is not activated by default, you need to activate it after the purchase of the scooter. This function can be activated or deactivated from the central control unit, according to the user's needs.

Zero start – P1

This function is designed for safety reasons. The option allows the acceleration to be activated only the scooter is first pushed with the foot and the wheel is in motion, ensuring that the acceleration lever is not actioned by mistake. The "zero start" function is not activated by default, you need to activate it after the purchase of the scooter. This function can be activated or deactivated from the central control unit, according to the user's needs.

Maximum Speed Limitation – L1, L2, L3, L4, L5

A lot of countries have a legislation that imposes a speed limitation for electrical vehicles. Once a maximum speed is set, the scooter won't exceed that speed. The maximum speed limit options are 6 km/h, 12 km/h, 20 km/h, 25 km/h. This function can be activated or deactivated from the central control unit, according to the user's needs.

BATTERY AND CHARGER

Each **E-TWOW** electric scooter is equipped with a special lithium polymer battery and a special smart charger. These accessories that come with each scooter have a dedicated number, please do not use the chargers from other brands. If the battery or charger will be damaged owing to these, our company will not be responsible. Also, each model has a different type of charger, as detailed below. Please do not use a charger from another model! (37,4 V; 3,5 Ah).

Battery

When you buy the **E-TWOW** electric scooter, before the first use, please charge the battery fully. The **E-TWOW** battery can be charged at any point, and it is advisable to keep it as much as possible fully charged.

Warning: do not use batteries from other brands, it will not work with the **E-TWOW** scooter.

Please charge the battery once every three months, even if you don't use the scooter, to maintain the battery fully functional and prolong its life span.

Water immersion, collisions, and other abnormal factors will lead to battery damages, which are not covered under warranty.

Charger

The company provides a dedicated charger which has a charging protection function: when the battery is 100% charged, the charger will automatically stop charging. Charging time is no more than 3 hours.

Water immersion, collisions, and other abnormal factors will lead to charger damages, which are not covered under warranty.

Charge Description

First open the rubber protective cover, put the charger connector into the scooter's charging socket, and then connect the charger plug into the power socket.

The scooter is charging when the charger light is red, and the charger light turns green when the battery is fully charged.

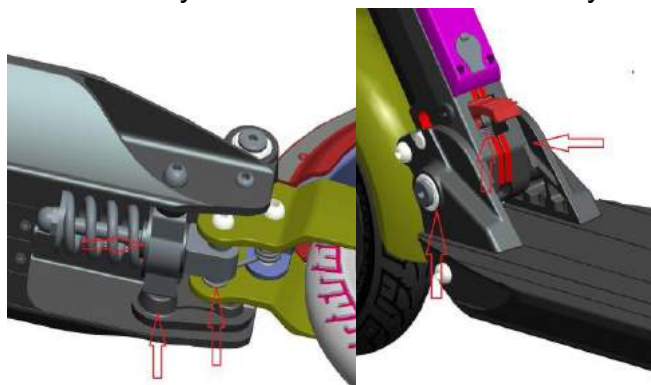


MAINTENANCE

Lubricating

Please add a small amount of grease or lubricants to handle folded position, rear shock absorber and all the joints of the scooter, every six months.

Please check the scooter' screws every three months to ensure they do not get loose.



Battery

The lithium polymer batteries provided by our company can be recharged at least 500 times, the normal use can reach more than 1,000 times.

Storage and care

Do not expose the scooter under the sun or wet places for too long time. Please store the scooter in a dry and warm environment, away from draft and moist, where the temperature is constant and at least 15 degrees. Please keep the scooter clean and dry.

For cleaning use a damp cloth and a mild detergent.

GENERAL TROUBLESHOOTING

Checklist

When the products have any problems, please refer to the following methods.

a) LED display black screen

Reason: Exposure under the sun for too long.

Solution: Place it in shadow and it will return to normal after a period.

b) Values from the display do not fit the actual values.

Reason: Parameters are set incorrectly or missing.

Solution: Please reset the display to the factory settings.

c) No information on digital display

Reason: Bad battery contacts or the battery is dead.

Solution: Turn off the power then restart again, if the problem still occurs, please contact your local reseller.

In case that the product still does not operate normally, please contact your local vendor or reseller.

PRODUCT SPECIFICATION SHEET

BOOSTER PLUS		
Specifications	Overall Expand Size	1020*1160*380 mm
	Overall Fold Size	970*330*145 mm
	Scooter Weight	10.9 Kg
Capability	Maximum load	110 Kg
	Top Speed	30 km/h
	Grade Ability	25 degree slope
	Range (with fully charged battery)	max 35 Km
		Can vary according to the weight of the passenger, speed, slope degree, wind speed, road conditions, temperature and other factors
	Power Consumption	6.15 Wh–7.5 Wh/Km
Can vary according to the weight of the passenger, speed, slope degree, wind speed, road conditions, temperature and other factors		
Battery parameters	Type	Li-po Lithium Battery
	Capacity	33 V; 6,5 Ah
Motor parameters	Motor type	Brushless DC Motor
	Rated Output Max. Power	500W
Charger parameters	Input Voltage	110V/220V
	Charging time (charger)	1.5-2hr (3.5A)

Trotinetă Electrică Portabilă

O nouă eră în mobilitatea urbană

MANUAL DE UTILIZARE BOOSTER PLUS

Felicitări pentru achiziția făcută!

ACEST MANUAL A FOST REALIZAT PENTRU CA TU SĂ BENEFICIEZI
DE INFORMAȚII IMPORTANTE CE TE VOR AJUTA SĂ UTILIZEZI ÎN
SIGURANȚĂ TROTINETA E-TWOW



CUPRINS

AVERTISMENT	17
SIGURANȚĂ.....	18
PĂRȚILE PRINCIPALE.....	19
ETAPE DE PLIERE/ DEPLIERE	20
Etapele de pliere.....	20
Pașii pentru pliere.....	20
Pașii pentru depiere	21
OPERARE	22
1.Introducere în componentele trotinetei	22
2.Instrucțiuni de operare	22
a)Pornire/ oprire	22
b)Controlul vitezei.....	22
c)Controlul frânei.....	22
d)Claxon	22
e)Far LED.....	23
f)Afișarea kilometrajului	23
g)Fână de urgență.....	23
3.Afișarea setărilor din fabrică	23
Meniu pentru setările limitării vitezei	24
Meniu pentru setările trotinetei.....	24
OPERAȚIUNEA DE CONDUCERE	25
Pregătire	25
Pornire	25
Frânare	25
Pilot automat.....	25
Zero start	25
Limitarea vitezei.....	25
BATERIE ȘI ÎNCĂRCĂTOR.....	26
Baterie	26
Încărcător.....	26
Cum se încarcă?.....	26
ÎNTREȚINERE	27
Lubrifiere.....	27
Baterie	27
Depozitare și îngrijire	27
DEPANARE GENERALĂ.....	27
SPECIFICAȚIILE PRODUSULUI	28



AVERTISMENT

CITIȚI ȘI SĂ URMAȚI TOATE INSTRUCȚIUNILE ȘI AVERTISMENTELE DIN ACEST MANUAL, PENTRU A PUTEA CONDUCE ÎN SIGURANȚĂ TROTINETA ELECTRICĂ E-TWOW ȘI PENTRU A EVITA ACCIDENTĂRI, COLIZIUNI SAU PIERDEREA CONTROLULUI.

Verificați legile și reglementările locale pentru a vedea unde și cum puteți folosi legal trotineta electrică E-TWOW. Respectați toate legile aplicabile pentru vehicule și pietoni din țara dumneavoastră.

Acest manual include instrucțiunile de bază pentru folosirea trotinetei electrice

E-TWOW, însă nu poate acoperi toate situațiile ipotetice de accidentare. UTILIZATORII TREBUIE SĂ DEA DOVADĂ DE PRUDENȚĂ PENTRU A DETECTA ȘI EVITA RISCURILE ȘI PERICOLELE care pot fi întâlnite în timpul utilizării vehicolului E-TWOW. Utilizând trotineta electrică E-TWOW, vă asumați riscurile inerente utilizării acestui produs.

UTILIZAREA ÎN MOD NECORESPUNZĂTOR A PRODUSULUI ȘI NERESPECTAREA ACESTOR AVERTISMENTE POT CAUZA ACCIDENTĂRI GRAVE. UTILIZAȚI TROTINETA ELECTRICĂ CU ATENȚIE ADECVATĂ ȘI TEMEINICĂ PENTRU O OPERARE SIGURĂ.

FIȚI MEREU ATENȚI!

SIGURANȚĂ

1. Produsul este destinat adulților (peste 18 ani). Vă rugăm să nu transportați doi adulți în același timp. Nu este permis minorilor să folosească acest produs.
2. Întotdeauna inspectați trotineta electrică înainte de utilizare. Inspectarea și întreținerea corectă, pot reduce riscul de rănire.
3. Vă rugăm să purtați cască de siguranță și alte echipamente de protecție, atunci când o conduceți. Utilizați o cască de bicicletă sau de skateboard aprobată, care vă vine bine, cu curea la bărbie, și care vă protejează partea din spate a capului. Legislațiile locale pot solicita conducătorilor de vehicule pe două roți să poarte o cască și alte echipament de protecție. Nu conduceți niciodată trotineta electrică desculț, în pantofi decupați la degete sau cu tocuri înalte.
4. Nu conduceți trotineta electrică pe benzile de circulație sau pe drumuri nesigure și nu încălcați reglementările legale.
5. Vă rugăm să exersați în zone ample și să conduceți după ce ați deprins tacticile de utilizare.
6. Nu faceți nici o mișcare periculoasă în timpul conducerii și nu conduceți cu o mână. Țineți-vă picioarele pe platforma trotinetei.
7. Nu încercați să conduceți trotineta electrică pe scări sau denivelari mai înalte de 3 cm pentru că acesta se poate răsturna, cauzând accidentarea conducătorului și/sau daune pentru trotineta electrică.
8. Viteza maximă este de 30 km/h. Pentru siguranța dvs., vă rugăm să limitați viteza la 20 km/h. Încercați să evitați utilizarea în timpul nopții, iar dacă acest lucru este necesar, limitați viteza la 12 km/h sau mai mică și porniți farurile.
9. Nu recomandăm utilizarea trotinetei electrice dacă temperatura exterioară este mai mică de 0°C.
10. Încetiniți sau dați-vă jos de pe trotineta electrică atunci când condițiile de drum devin nepotrivite.
11. Nu conduceți trotineta electrică pe suprafețe alunecoase sau pe gheață.
12. Reglați ghidonul trotinetei la înălțimea potrivită în funcție de statura dumneavoastră.
13. Pentru a evita deteriorarea părților electrice ale vehiculului, vă rugăm să nu introduceți trotineta electrică în apă și nu o spălați cu jet de apă sub presiune.
14. Pentru siguranța dumneavoastră și protejarea trotinetei electrice, vă rugăm să nu o conduceți atunci când vremea nu o permite (ploaie sau zăpadă).
15. Nu conduceți trotineta electrică **E-TWOW** dacă ați consumat alcool.

PĂRȚILE PRINCIPALE



1. Mânerile ghidonului
2. Ecran
3. Far LED
4. Claxon
5. Manetă de blocare

6. Cârlig de pliere
7. Mufă de încărcare baterie
8. Manetă de pliere
9. Ax pliere
10. Frână spate

ETAPE DE PLIERE/ DEPLIERE

Etapele de pliere



A – Depliată



B – Mânere pliate



C – Pliată complet

Pașii pentru pliere

1. Deschideți **maneta de blocare**, ca în figurile (a) și (b).
2. Apăsați **butonul**, figura (c), în același timp apăsați ghidonul așa cum se arată în figura (d) și împingeți **maneta de blocare** în poziția de blocare.
3. Țineți **ghidonul** cu ambele mâini, apăsați butoanele indicate de degetele mari ale modelului din figura (e). Trageți de mânerul **ghidonului** figura (e) și pliați în jos la maximum ca în figura B.
4. Împingeți **ghidonul** în față atunci când apăsați **maneta de pliere**, în direcția săgeților din figura (f).
5. Continuați cu plierea trotinetei electrice până când **cârligul de pliere** ajunge la **deschiderea** situată pe **frâna spate**, precum este detaliat în figura (g) de mai jos.



(a)



(b)



(c)



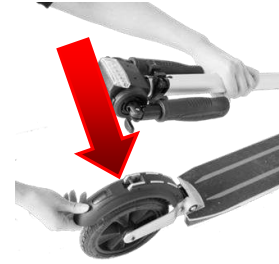
(d)



(e)



(f)



(g)

Pașii pentru depliere

1. Apăsați **frâna spate** în direcția indicată de săgeată în figura (h), până la eliberarea **cârligului de pliere** din deschiderea situată pe frâna spate. Apoi, ridicați **ghidonul** până când ajunge în poziția de lucru și **axul de blocare** intră complet în locul său, ca în figura (i).
2. Ridicați cele două mâneri ale **ghidonului** până când acestea revin automat la poziția de lucru, figura A.
3. Împingeți **maneta de blocare** așa cum este indicat în figurile (a) și (b) și ridicați ghidonul la înălțimea dorită. Acum apăsați butonul din figura (c) și fixați-l într-una din găuri, după cum doriți înălțimea ghidonului. Strângeți piulița manetei de blocare la maxim, după care închideți maneta pentru poziția de rulare.



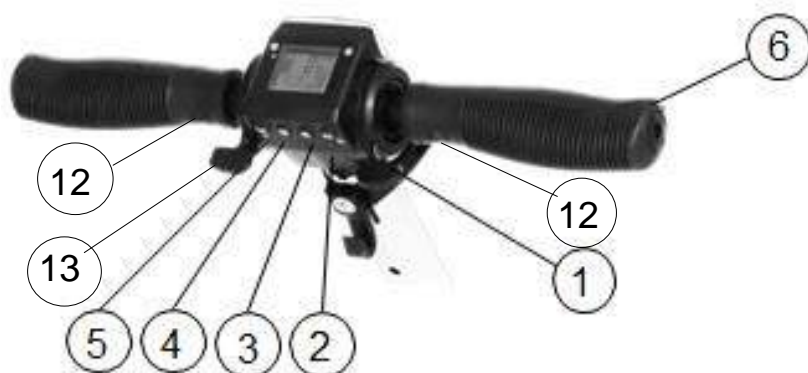
(h)



(i)

OPERARE

1. Introducere în componentele trotinetei



1. Manetă de accelerație
2. Buton de pornire/oprire trotinetă
3. Buton de setări
4. Buton de pornire/oprire lumină
5. Buton claxon
6. Mâner
7. Suport controler
8. Manetă de pliere
9. Aripă față
10. Protecție frontală baterie
11. Capac protecție
12. Butoane pentru pliere ghidon
13. Manetă de frână



2. Instrucțiuni de operare

a) PORNIRE/OPRIRE

Apăsați butonul pentru 3 secunde, iar ecranul va lumina indicând că alimentarea este pornită. Apăsați timp de 3 secunde, dacă doriți să-l opriți. Acesta se va opri dacă nu-l utilizați timp de 3 minute.

b) Controlul vitezei

Apăsați maneta de accelerație acționată cu degetul mare de la mâna dreaptă pentru a controla viteza (1-30 km/h).

c) Controlul frânei

Apăsați maneta de frânare acționată cu degetul mare de la mâna stângă și frâna electromagnetică va fi acționată. Cu cât apăsați mai tare, cu atât mai mare va fi forța de frânare.

d) Claxon

Porniți alimentarea, iar apoi, atunci când apăsați butonului de claxon, acesta va claxona.

e) Far LED

În modul manual: Apăsați butonul de Oprire/Pornire Lumini atunci când este necesar, iar ecranul va afișa faptul că lumina este pornită. Apăsați din nou butonul atunci când nu aveți nevoie de lumină. Trotineta electrică este echipată cu un senzor de lumină care detectează nevoia de lumină. Lumina se va aprinde automat (mod automat) în cazul în care senzorul detectează o lumină ambientală slabă. De exemplu: atunci când este vreme noroasă și modul automat este pornit, lumina se aprinde. Dacă lumina zilei este corectă, modul automat detectează lumina și farurile se vor stinge după 5 secunde.

În modul automat, ecranul este, de asemenea, luminat, în funcție de lumina ambientală.

Dacă trotineta electrică este pe modul automat, puteți trece la modul manual prin apăsarea butonului de Pornire/Oprire Lumină.

În cazul în care alegeți să stingeți lumina față a trotinetei electrice, se va stinge și lumina spate (stopul). În această situație lumina spate se va aprinde doar în cazul frânării.

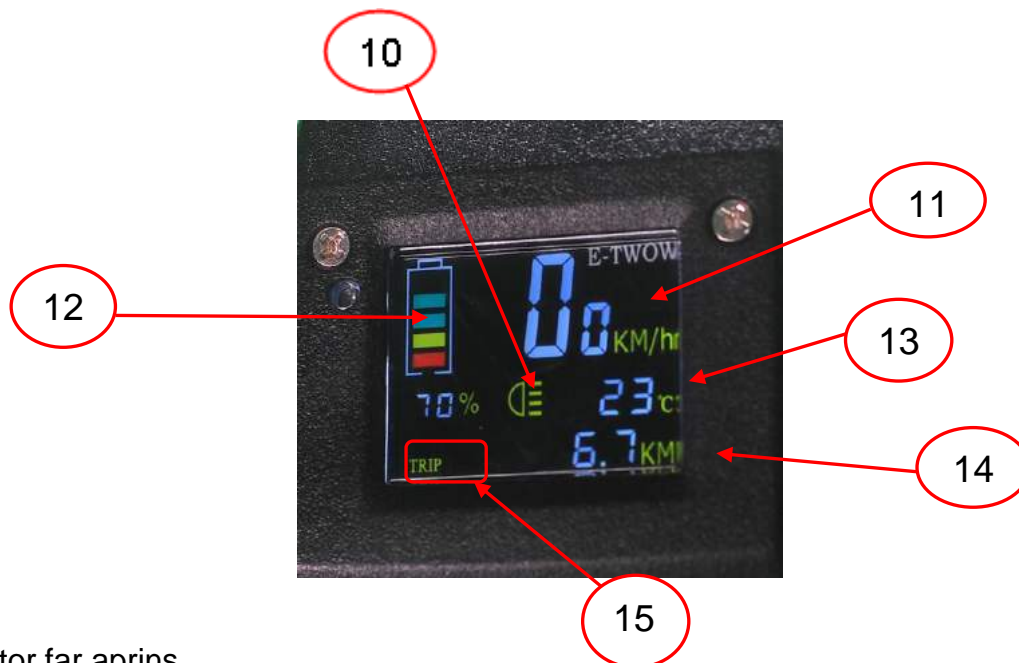
f) Afișarea kilometrajului

Când ecranul este pornit, se afișează 2 moduri: total parcurs și călătorie. Le puteți schimba apăsând pe butonul (S) de setări. În modul "trip", apăsați butonul (S) setare timp de 3 secunde și călătoria va fi ștersă.

g) Frâna de urgență

În cazul în care aveți nevoie de o frânare rapidă, se recomandă utilizarea frânei de picior.

3. Afișarea setărilor din fabrică



10 – Indicator far aprins

11 – Viteză

12 – Nivel baterie

13 – Temperatură

14 – Afișează distanța totală sau de călătorie

15 – Total călătorie (ODO) sau total de la ultima resetare (TRIP)

Meniul pentru setările limitării vitezei

a. Pentru a activa funcția de limitare a vitezei:

- Opriți trotineta
- Apăsați maneta de frână până jos și mentineți-o apăsată

- Porniți trotineta

Va apărea pe ecran „L1”

b. Pentru alegerea altei setări a limitării de viteză apăsați butonul [LIGHT] L1- L2 - L3 - L4 - L5

- Pentru a salva alegerea, apăsați butonul [SET]

- Pentru a salva și încheia setările, eliberați maneta de frână.



L1 = Limitare viteză maximă la 6 km/h

L2 = Limitare viteză maximă la 12 km/h

L3 = Limitare viteză maximă la 20 km/h

L4 = Limitare viteză maximă la 25 km/h

L5 = Limitare viteză maximă la 30 km/h

Meniu pentru setările trotinetei

a. Pentru alegerea uneia dintre cele 3 setări:

- Porniți trotineta

- Apăsați maneta de frână până jos și mențineți-o apăsată

- Apăsați butonul [POWER]

Va apărea pe ecran: „P1”

b. Pentru alegerea uneia dintre setări

apăsați butonul [LIGHT] P1- P2- P3*

Pentru a salva alegerea, apăsați butonul [SET]

Pentru a salva și încheia setările, eliberați maneta de frână.



P1 = Zero Start [ON/OFF]

P2 = Pilot automat [ON/OFF]

P3* = Accelerație [ON/OFF]

*P3 - această setare anulează accelerația și transformă ambele manete în manete de frână regenerativă

ERROR CODE

E1 - Protecția la supracurent – apare în momentul în care se accelerează și motorul este împiedicat să funcționeze. Aceasta eroare se va șterge după eliberarea manetei de accelerație.

E2 - Eroarea de comunicație – această eroare se va șterge după începerea interacțiunii cu trotineta (de exemplu accelerare sau frânare, după caz).

E3 – Eroare la supratensiune



OPERAȚIUNEA DE CONDUCERE

Pregătire

1. Alegeți un loc potrivit pentru conducerea trotinetei electrice.
2. Depliați trotineta electrică conform descrierii.
3. Reglați ghidonul trotinetei la înălțimea potrivită în funcție de statura dumneavoastră.

Pornire

1. Apăsați butonul de alimentare pentru a porni alimentarea.
2. Stați în picioare cu un picior pe trotineta electrică și cu celălalt picior pe sol.
3. Apăsați ușor pe accelerație cu degetul mare drept, trotineta electrică se va mișca imediat înainte încet. Așezați piciorul care este pe sol pe trotineta electrică. Cu degetul mare de la mâna dreaptă apăsați pe maneta de accelerație; cu cât presiunea este mai mare, cu atât mai mult va crește viteza.

Frânare

1. Frânarea electromagnetică – dacă apăsați cu degetul mare de la mâna stângă, se va activa frânarea electromagnetică, ceea ce va duce la întreruperea imediată a alimentării cu energie a trotinetei electrice și apoi la frânarea acesteia. Cu cât se apasă mai tare pe manetă, cu atât forța de frânare va fi mai mare.

2. Frânarea mecanică - E-TWOW este echipat, de asemenea, cu o frână mecanică, ce este activată prin apăsarea cu piciorul pe aripa spate. Aceasta, activează și un senzor ce va întrerupe alimentarea cu energie a motorului.

Pilot automat – P2

Această opțiune permite setarea și menținerea unei viteze constante pentru trotineta electrică E-twow, fără a mai fi nevoie să mențineți apăsată maneta de accelerație. Aceasta se face prin apăsarea manetei de accelerație și menținerea unei viteze constante timp de 5 secunde. Apoi se poate elibera maneta de accelerație. Iar trotineta va continua să meargă cu viteza setată. De asemenea, puteți opri funcția cu ușurință, apăsând iar maneta de accelerație sau cea de frână. Funcția de cruise control nu este activată implicit, trebuie să o activați dvs. după achiziționarea trotinetei. Funcția poate fi activată sau dezactivată din unitatea centrală de control.

Zero start – P1

Această funcție a fost introdusă pentru a spori siguranța utilizării. Astfel, o dată activată, funcția permite accelerarea trotinetei, doar după ce trotineta este inițial împinsă ușor cu piciorul și roata este deja pusă în mișcare, permițând astfel evitarea acționării accelerației din greșeală. Funcția poate fi activată sau dezactivată din unitatea centrală de control.

Limitarea vitezei – L1, L2, L3, L4, L5

Legislația mai multor țări impune o limitare a vitezei. Prin utilizarea acestei opțiuni, o dată stabilită o viteză maximă, trotineta nu va putea depăși viteza astfel setată. Opțiunile de limitare a vitezei sunt de 6 km/h, 12 km/h, 20 km/h, 25 km/h și 30 km/h. Funcția poate fi activată sau dezactivată din unitatea centrală de control.

BATERIE ȘI ÎNCĂRCĂTOR

Fiecare trotineta electrică **E-TWOW** este echipată cu o baterie specială de litiu-polimer și încărcător inteligent, special. Aceste accesorii care vin cu fiecare produs au un număr dedicat, vă rugăm să nu folosiți încărcătoare de alte mărci. Dacă produsul, bateria sau încărcătorul vor fi deteriorate din cauza acestora, compania noastră nu va fi responsabilă. De asemenea, fiecare model are un tip dedicat de încărcător, după cum este detaliat mai jos.

Vă rugăm să nu folosiți un încărcător de la alt model! (37.4 V; 3.5 Ah)

Baterie

La prima utilizare a trotinetei electrice **E-TWOW**, vă rugăm să încărcați complet bateria. Bateriile pot fi încărcate la orice nivel, dar este indicat să mențineți bateria cât mai mult timp încărcată la maxim.

Evitați deplasările cu o baterie încărcată sub 50%, pentru a vă asigura că există energie și pentru drumul de întoarcere.

Atenție: Nu utilizați baterii de la alte mărci, acestea nu vor funcționa cu trotineta electrică **E-TWOW**.

Vă rugăm să încărcați bateria o dată la trei luni, chiar dacă nu mai utilizați trotineta electrică, pentru a menține bateria funcțională și a-i prelungi viața.

Scufundarea în apă, coliziunile și alți factori anormali vor duce la deteriorarea bateriei, situație care nu este acoperită de garanție.

Încărcător

Compania oferă un încărcător dedicat, care are o funcție de protecție la încărcare, atunci când bateria este 100% încărcată, încărcătorul se va opri automat din încărcare. Timpul de încărcare este de maxim 3 ore.

Scufundarea în apă, coliziunile și alți factori anormali vor duce la deteriorarea încărcătorului, care nu este acoperită de garanție.

Cum se încarcă?

Prima dată deschideți capacul de protecție din cauciuc și introduceți conectorul încărcătorului în orificiul de încărcare, apoi conectați încărcătorul la priză.

De notat: trotineta se încarcă atunci când lumina încărcătorului este roșie, iar lumina încărcătorului devine verde când bateria este complet încărcată.



ÎNTREȚINERE

Lubrifiere

Lunar gresați cu spray de vaselină pe bază de silicon, elementele în mișcare, vezi imaginea de mai jos.



Vă rugăm să verificați trotineta electrică lunar dacă șuruburile sunt slăbite.

Înainte de fiecare utilizare, trebuie să vă asigurați că elementele de securitate sunt:

- șuruburi roată față/spate bine strânse;
- axul de pliere, butonul reglaj înălțime, manetă de blocare a ghidonului în pozițiile de funcționare;
- frână, farul, lampa de poziție și stop frână funcționează.

Baterie

Bateriile de litiu-polimer oferite de firma noastră pot fi reîncărcate de cel puțin 500 de ori, utilizarea normală poate ajunge la mai mult de 1.000 de ori.

Depozitare și îngrijire

Nu expuneți trotineta electrică la soare sau în locuri umede pentru prea mult timp. Vă rugăm să păstrați trotineta electrică curată și uscată. Vă rugăm să depozitați trotineta într-un loc uscat și cald, departe de curent și umezeală, unde temperatura este constantă și minim de 15 grade. Pentru a o curăța, folosiți o cârpă umedă și un detergent slab.

DEPANARE GENERALĂ

Listă de verificare

În cazul în care produsele au probleme, vă rugăm să consultați următoarele metode:

1. Ecranul LED este negru (nu mai afișează)

Motiv: Expunerea îndelungată la soare.

Soluție: Mutați trotineta electrică la umbră și va reveni la normal după o perioadă.

2. Valorile de pe ecran nu se potrivesc cu valorile reale

Motiv: Parametrii sunt setați incorect sau lipsesc.

Soluție: Vă rugăm să resetați afișajul la setările din fabrică.

3. Nu există informații pe afișajul digital

Motiv: Contactele bateriei sunt defecte sau bateria este descărcată.

Soluție: Opriți alimentarea apoi reporniți din nou; dacă problema încă persistă, vă rugăm să contactați distribuitorul local.

4. Frâna spate nu acționează electric

Motiv: Senzorul frână spate defect, sau cablaj electric întrerupt

Soluție: Verificați vizual integritatea senzorului și a cablajului electric. (se află lângă suspensia spate)

În cazul în care considerați că produsul nu funcționează normal, vă rugăm să contactați vânzătorul sau distribuitorul local.

SPECIFICAȚIILE PRODUSULUI

BOOSTER PLUS		
Specificații	Dimensiune extinsă complet	1020*1160*380 mm
	Dimensiune pliată complet	970*330*145 mm
	Greutate	10.9 Kg
Capacitate	Sarcină maximă	110 Kg
	Viteză maximă	30 Km/h
	Capacitate urcare pante	Până la 25 grade
	Autonomie (cu bateria complet încărcată)	maxim 35 Km
		(diferă în funcție de greutate, viteza, grad înclinație, viteza vântului, condițiile drumului, temperatură și alți factori)
	Consum de energie	6.15 Wh – 7.5 Wh / Km
(diferă în funcție de greutate, viteza, grad înclinație, viteza vântului, condițiile drumului, temperatură și alți factori)		
Parametrii bateriei	Tip	Baterie litiu-polimer
	Capacitate	33 V; 6,5 Ah
Parametrii motorului	Tip motor	Motor curent continuu fără perii
	Puterea maximă a motorului	500 W
Parametrii încărcătorului	Tensiune de intrare	110 V/220 V
	Timp de încărcare (încărcător)	1.5 - 2 ore (3.5 A)

Trottinette Electrique Portable

Une nouvelle ère de la mobilité urbaine

MANUEL D'INSTRUCTIONS BOOSTER PLUS

Félicitations pour votre achat !

CE MANUEL A ETE REALISE POUR QUE TU REÇOIVES DES INFORMATIONS
IMPORTANTES QUI T'AIDENT A UTILISER EN TOUTE SECURITE LA
TROTTINETTE E-TWOW



TABLE A MATIERES

AVERTISSEMENT.....	31
SECURITE.....	32
PARTIES PRINCIPALES	33
ETAPES DE PLIAGE / DEPLIAGE	34
Etapas de pliage.....	34
Pas pour le pliage.....	34
Pas pour le dépliage.....	35
OPERATION.....	36
1.Introduction dans les composants du guidon.....	36
2. Instruction d'exploitation	36
a) Start / stop.....	36
b) Contrôle de la vitesse.....	36
c) Contrôle des freins	36
d) Avertisseur sonore	36
e) Feux LED.....	37
f) Affichage kilometrage.....	37
g) Freins d'urgence	Error! Bookmark not defined. 37
3.Affichages des configurations de la fabrique	6537
Menu pour les configurations de la limite de vitesse	38
Menu pour les configurations de la trottinette	38
OPERATION DE DIRECTION	38
Préparation.....	39
Start.....	Error! Bookmark not defined.
Freins.....	Error! Bookmark not defined.
Pilote automatique.....	Error! Bookmark not defined.
Zéro start.....	39
Limiter la vitesse.....	39
BATTERIE ET CHARGEUR	39
Batterie	40
Chargeur.....	40
Commne charger ?.....	40
MANUTENTION.....	41
Lubrification	41
Batterie	41
Stockage et entretien.....	41
DEPANNAGE GENERALE	41
SPECIFICATIONS DU PRODUITS	42



AVERTISSEMENT

LIRE ET SUIVRE TOUTES LES INSTRUCTIONS ET LES AVERTISSEMENTS DE CE MANUEL AFIN DE POUVOIR CONDUIRE EN TOUTE SECURITE LA TROTTINETTE ELECTRIQUE E-TWOW ET POUR EVITER LES ACCIDENTS, LES COLLISIONS OU LA PERTE DU CONTROLE.

Vérifier les lois et les règlements locaux pour savoir où et comment utiliser légalement la trottinette électrique E-TWOW. Respecter toutes les lois applicables pour les véhicules et les piétons dans votre pays.

Ce manuel comprend toutes les instructions essentielles pour utiliser la trottinette électrique E-TWOW, mais il ne peut pas couvrir toutes les situations hypothétiques d'accident. LES UTILISATEURS DOIVENT ETRE PRUDENTS AFIN DE DETECTER ET D'EVITER LES RISQUES ET LES PERILS rencontrés pendant l'utilisation du véhicule E-TWOW. En utilisant la trottinette électrique E-TWOW, vous assumez les risques inhérents à l'utilisation de ce produit.

L'UTILISATION INCORRECTE DU PRODUIT ET L'INEXECUTION DE CES AVERTISSEMENTS PEUVENT CAUSER DES ACCIDENTS GRAVES. UTILISER CORRECTEMENT LA TROTTINETTE ELECTRIQUE POUR UN FONCTIONNEMENT EN TOUTE SECURITE.

SOYEZ TOUJOURS PRUDENTS !

Sécurité

1. Le produit est réservé aux adultes ! (+18 ans). NE PAS mettre deux adultes
2. Toujours inspecter la trottinette avant utilisation. Inspecter et entretenir correctement votre produit peut réduire le risque de blessure.
3. Portez votre casque de sécurité et d'autres équipements de protection lorsque la conduite. Utilisez un casque approuvé de vélo ou de planche à roulettes qui s'adapte correctement avec mentonnière et protection à l'arrière de la tête. Les législations locales peuvent exiger que les conducteurs de deux-roues utilisent un casque et d'autres protections. Ne roulez jamais pieds nus ou avec des chaussures ouvertes ou talons hauts.
4. Ne pas utiliser la trottinette électrique sur les voies de circulation ou sur les routes dangereuses et ne pas violer les règlements locaux.
5. Conduisez dans des zones vastes, et roulez seulement si vous avez un bon contrôle de la trottinette.
6. NE PAS avoir un comportement dangereux lors de la conduite. NE PAS conduire d'une seule main. Gardez vos pieds sur le deck.
7. N'essayez PAS de monter la trottinette sur des escaliers supérieurs à 3 cm, vous risquez de vous renverser en causant des blessures et / ou des dommages à vous-même ou à la trottinette.
8. La vitesse maximale est de 30 km/h. Respectez toujours les règlements dans le pays où vous utilisez votre trottinette ! Pour votre sécurité, limitez la vitesse à 20 km/h. Essayez d'éviter de l'utiliser la nuit, si nécessaire, limitez la vitesse à moins de 12 km/h et allumez les phares.
9. Il n'est pas recommandable d'utiliser la trottinette électrique si la température extérieure est inférieure à 0°C.
10. Veuillez ralentir ou descendre de la trottinette lorsque les conditions de route ne sont pas favorables
11. N'utilisez pas la trottinette sur une surface huileuse ou glacée.
12. Ajustez le guidon selon votre hauteur pour assurer une conduite sûre.
13. Pour éviter d'endommager les parties électriques du véhicule, ne pas immerger dans l'eau avec une profondeur supérieure à 4 cm et ne pas laver avec de l'eau sous pression.
14. Pour une protection maximale, n'utilisez pas la trottinette par mauvais temps, comme de fortes pluies ou la neige.
15. Ne conduisez après avoir consommé de l'alcool.

PARTIES PRINCIPALES



1. Guidon
2. Ecran
3. Feux LED
4. Klaxon
5. Levier de verrouillage

6. Levier de pliage
7. Prise de charge batterie
8. Barre de pliage
9. Axe pliage
10. Freins arrière

ETAPES DE PLIAGE / DEPLIAGE

Etapas de pliage



A – Dépliée



B – Guidon pliées



C – Complètement pliée

Pas pour plier

1. Ouvrir le **levier de verrouillage**, conformément aux figures (a) et (b).
2. Appuyer le **bouton**, la figure (C), en appuyant simultanément le guidon conformément à la figure (d) et pousser le **levier de verrouillage** dans la position de verrouillage.
3. Tenir le **guidon** avec les deux mains, appuyer les boutons indiqués par les pouces du modèle de la (e). Tirer les poignées du **guidon**, la figure (e) et plier vers le bas au maximum conformément à la figure B.
4. Pousser le **guidon** à l'avant en appuyant le **levier de pliage**, dans la direction de la flèche de la figure (f).
5. Continuer plier la trottinette électrique jusqu'à ce que le **croche de pliage** atteigne l'**ouverture** située sur les **freins arrière**, conformément à la figure (g) ci-dessus.



(a)



(b)



(c)



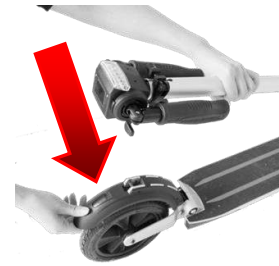
(d)



(e)



(f)



(g)

Pas pour le dépliage

1. Appuyer le **frein arrière** dans la direction indiquée par la flèche de la figure (h), jusqu'à la libération du **crochet de pliage** de l'ouverture située sur le frein arrière. Ensuite, enlever le **guidon** jusqu'à ce qu'il atteigne la position de travail et l'axe de **verrouillage** entre complètement dans son lieu, conformément à la figure (i).
2. Soulever les deux poignées du **guidon** jusqu'à ce qu'elles reviennent automatiquement à la position de travail, la figure A.
3. Pousser le **levier de verrouillage** conformément aux figures (a) et (b) et soulever le guidon à la hauteur souhaitée. Ensuite, appuyer le bouton de la figure (c) et le fixer dans un des deux trous, selon la hauteur souhaitée. Serrer bien la vis du levier de verrouillage et ensuite fermer le levier pour la position de marche.



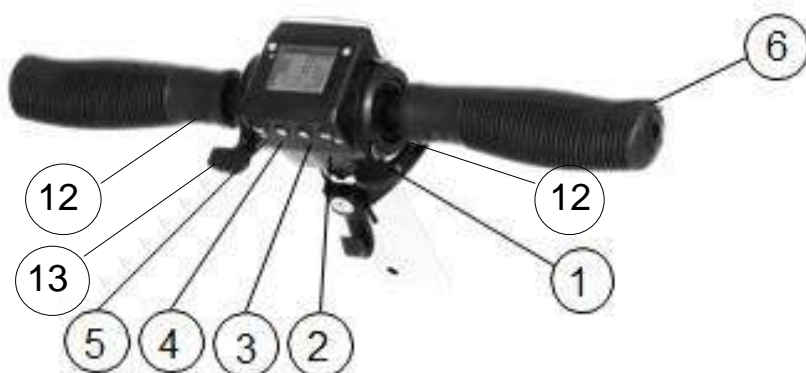
(h)



(i)

OPERATION

1. Introduction aux composants de la trottinette



1. Accélérateur bouton poussoir
2. Bouton ON/OFF
3. Bouton paramétrage
4. Bouton ON/OFF lumière
5. Bouton klaxon
6. Guidon
7. Tube carré
8. Barre de pliage
9. Garde-boue avant
10. Protection batterie avant
11. Cache de protection
12. Boutons pour plier le guidon
13. Frein électrique bouton poussoir



2. Instructions d'Exploitation

a) ON/OFF

Appuyez sur le bouton marche/arrêt pendant 3 secondes, l'affichage va s'allumer. Appuyez pendant 3 secondes si vous souhaitez l'éteindre. La trottinette s'éteindra automatiquement si vous ne l'utilisez pas pendant 3 minutes.

b) Contrôle de la vitesse

Appuyez sur le bouton d'accélération à droite pour contrôler la vitesse (1-30 km/h).

c) Freinage

Appuyez sur le frein à gauche pour activer le frein magnétique électronique. Plus vous mettez de pression plus la force de freinage sera élevée.

d) Klaxon

Une fois allumée, si vous appuyez sur le bouton de klaxon, il sonnera.

e) Lumière

En mode manuel : appuyez sur le bouton Marche / Arrêt de la lumière. Appuyez de nouveau sur le bouton lorsque vous n'avez plus besoin de la lumière. La trottinette est équipée d'un capteur qui détecte le besoin de lumière. La lumière s'allume automatiquement (mode veille automatique) si le capteur détecte une lumière ambiante faible jusqu'à ce que le signe "Auto" disparaisse de l'écran. Par exemple : quand il fait un temps nuageux et que le mode de lumière automatique est enclenché, la lumière s'allume. Si la lumière du jour est correcte, le mode de lumière automatique détecte la lumière et les phares s'éteindront après 5 secondes. En mode veille automatique, l'affichage est également allumé en fonction de la lumière ambiante. Si la trottinette est en mode de lumière automatique, vous pouvez passer en mode manuel en appuyant sur le bouton de marche / arrêt de la lumière.

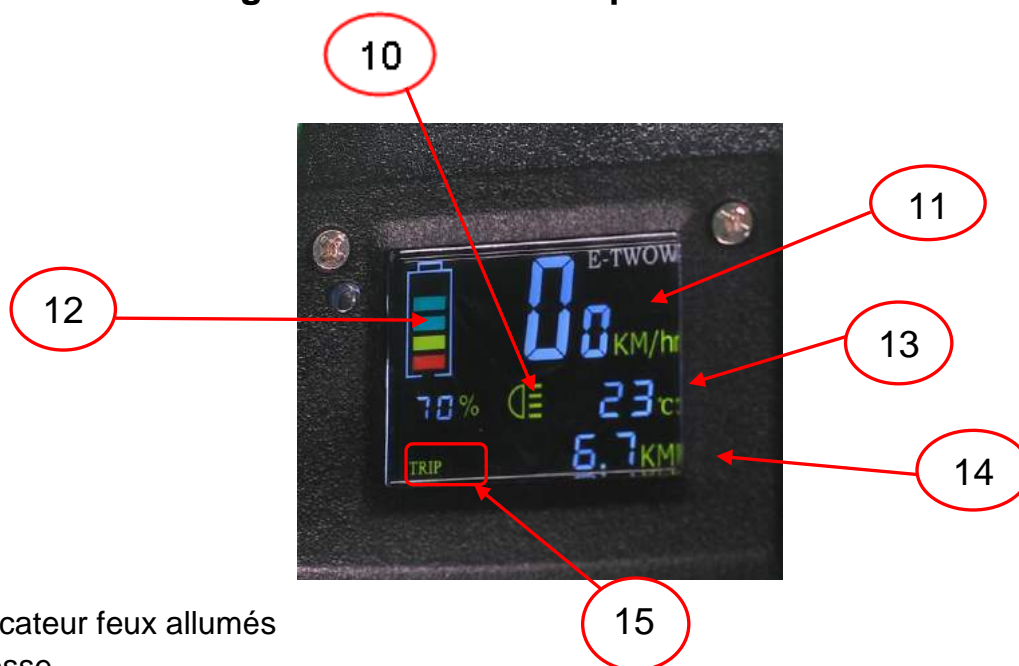
f) Affichage kilométrage

Lorsque l'affichage est allumé, il affiche deux modes : ODOmètre (distance parcourue) et "trip". Vous pouvez le modifier en appuyant sur le bouton de configuration. En mode "Trip", appuyez sur le bouton de réglage (S) pendant 3 secondes pour effacer les données.

g) Frein d'urgence

Si vous avez besoin de freiner urgemment, il est recommandable d'utiliser le frein à pied.

3. Afficher les configurations de la fabrique



10 – Indicateur feux allumés

11 – Vitesse

12 – Pourcentage de batterie

13 – Température

14 – Affichage de la distance parcourue

15 – Total voyage (ODO) ou total de la dernière configuration (TRIP)

Menu pour les configurations de la limite de vitesse

a. Pour programmer la limitation de vitesse :

- Eteindre l'écran
- Maintenir le bouton poussoir de freinage
- Allumer l'écran
- L'écran affiche alors « L1 »



b. Changer de menu avec le bouton [LUMIERE]

L1- L2 - L3 - L4 - L5

- Pour programmer une nouvelle limitation, pressez [SET]
- Pour terminer les réglages, relâchez le bouton poussoir de Freinage.

L1 = Limite la vitesse à 6 km/h
L2 = Limite la vitesse à 12 km/h
L3 = Limite la vitesse à 20 km/h
L4 = Limite la vitesse à 25 km/h
L5 = Limite la vitesse à 30 km/h

Menu pour les configurations de la trottinette

a. Pour programmer une fonction :

- Allumer l'écran
- Maintenir le bouton poussoir de freinage
- Pressez [POWER]
- L'écran affiche alors « P1 »



b. Changer de menu avec le bouton [LUMIERE]

P1- P2- P3*

- Pour programmer une nouvelle fonction, pressez [SET]
- Pour terminer les réglages, relâchez le bouton poussoir de freinage.

P1 = Zéro Start [ON/OFF]
P2 = Régulateur de vitesse [ON/OFF]
P3* = Accélérateur [ON/OFF]

*P3 – ce réglage annule l'accélérateur et transforme les deux leviers dans des leviers de frein régénératif

ERROR CODE

E1 – Protection surintensité – apparait lorsqu'on accélère et le moteur est empêché de fonctionner. Cette erreur s'effacera après le relâchement de l'accélérateur.

E2 – Erreur de communication – cette erreur s'effacera après le début d'interagir avec la trottinette (par exemple, accélérer ou freiner, selon le cas).

E3 – Erreur surintensité



OPERATION DE DIRECTION

C'est parti !

1. Choisissez un endroit convenable pour utiliser votre trottinette
2. Dépliez la trottinette en respectant les instructions et vérifiez que le bouton de sécurité est activé
3. Ajustez le guidon à la bonne hauteur en accord avec votre taille

Démarrage

1. Pressez le bouton de démarrage.
2. Placez un pied sur la trottinette et laissez l'autre pied au sol.
3. Appuyez doucement sur l'accélérateur (bouton poussoir) situé à droite, la trottinette va immédiatement avancer lentement. Placez le pied précédent sur la trottinette. Appuyez sur l'accélérateur (bouton poussoir) situé à droite. Plus vous augmentez la pression, plus vite vous irez.

Frein

1. **Frein électromagnétique** - en appuyant sur le électromagnétique bouton poussoir situé à gauche, le frein électromagnétique sera activé, ce qui éteindra la trottinette et enclenchera le frein. Plus vous appuyez, plus la force de freinage sera importante.
2. **Frein mécanique** - Les trottinettes **E-TWOW** ont également un frein mécanique qui s'active en appuyant avec le pied sur le garde-boue arrière. Cela active également un capteur qui arrête le moteur de la roue avant.

Régulateur de vitesse – P2

Cette option permet à l'utilisateur de régler et de maintenir une vitesse constante, sans maintenir le levier d'accélération enfoncé. Appuyez sur l'accélérateur (bouton poussoir) situé à droite et maintenez la même vitesse pendant 5 secondes et le régulateur de vitesse s'enclenchera automatiquement. Ensuite, vous pouvez relâcher le levier d'accélération, et la trottinette continuera à avancer à la même vitesse. Vous pouvez aussi facilement désactiver la fonction en appuyant délicatement sur le levier de freinage ou d'accélération. La fonction de régulateur de vitesse n'est pas activée par défaut, vous devez l'activer après l'achat. Cette fonction peut être activée ou désactivée à partir de l'unité de commande centrale, selon les besoins de l'utilisateur.

Zéro start – P1

Cette fonction est conçue pour des raisons de sécurité. L'option permet d'activer l'accélération uniquement après que la trottinette ait d'abord été poussée avec le pied et que la roue soit en mouvement, en veillant à ce que le levier d'accélération ne soit pas actionné par erreur. La fonction "push to start" n'est pas activée par défaut, vous devez l'activer après l'achat. Cette fonction peut être activée ou désactivée à partir de l'unité de commande centrale, selon les besoins de l'utilisateur.

Limitation de vitesse - L1, L2, L3, L4, L5

Chaque pays a une législation qui impose une limitation de vitesse pour les véhicules électriques. Une fois que la vitesse maximale est réglée, la trottinette ne dépassera pas cette vitesse. Les options de limite de vitesse maximale sont de 6 km/h, 12 km/h, 20 km/h, 25 km/h, 30 km/h. Cette fonction peut être activée ou désactivée à partir de l'unité de commande centrale, selon les besoins de l'utilisateur.

BATTERIE ET CHARGEUR

Chaque trottinette électrique **E-TWOW** est équipée d'une batterie spéciale au lithium-polymère et d'un chargeur intelligent. Ces accessoires livrés avec chaque trottinette ont un numéro spécifique, n'utilisez pas les chargeurs d'autres marques. Si la batterie ou le chargeur est endommagé en raison de cela, notre société ne sera pas responsable. En outre, chaque modèle possède un type

de chargeur différent, comme détaillé ci-dessous. N'utilisez pas un chargeur d'un autre modèle !
(37.4 V ; 3.5 Ah)

Batterie

Lors de la première utilisation de la trottinette électrique **E-TWOW**, veuillez-vous charger complètement la batterie. Les batteries peuvent être chargées à tout niveau, mais il est recommandable de maintenir la batterie chargée au maximum aussi longtemps que possible.

Eviter les déplacements avec une batterie chargée en-dessous de 50%, pour avoir d'énergie pour le voyage de retour.

Attention: Ne pas utiliser les batteries d'autres marques ; elles ne fonctionneront pas avec la trottinette électrique **E-TWOW**.

Charger la batterie tous les trois mois, même si la trottinette électrique ne sera plus utilisée, pour maintenir la batterie opérationnelle et pour prolonger sa vie utile.

L'immersion dans l'eau, les accidents et d'autres facteurs anormaux endommagera la batterie ; ces situations ne sont pas couvertes par la garantie.

Chargeur

La société offre un chargeur dédié qui a une fonction de protection de la charge, lorsque la batterie est 100% chargée, le chargeur arrêtera automatiquement la charge. La durée de charge est de maximum 3 heures.

L'immersion dans l'eau, les accidents et d'autres facteurs anormaux endommagera la batterie ; ces situations ne sont pas couvertes par la garantie.

Comment charger ?

Tout d'abord ouvrir le couvercle de protection en caoutchouc et insérer le connecteur du chargeur dans le port de charge, ensuite brancher le chargeur sur la prise.

Remarque : la trottinette est en train d'être chargée lorsque la lumière du chargeur est rouge et la lumière du chargeur devient verte lorsque la batterie est complètement chargée.



MANUTENTION

Lubrification

Ajoutez une petite quantité de graisse ou de lubrifiant pour gérer la position pliée, l'amortisseur arrière et toutes les articulations de la trottinette, tous les six mois. Vérifiez les vis tous les trois mois pour vous assurer qu'elles ne se détachent pas.



Veillez vérifier mensuellement la trottinette électrique ; vérifier que les vis soient bien serrées. Avant de chaque utilisation, il faut vérifier que les éléments de sécurité soient :

- les vis roue avant/arrière bien serrées ;
- l'axe de pliage, le bouton de réglage hauteur, le levier de verrouillage du guidon dans les positions d'exploitation ;
- les freins, les feux, la lampe de position et arrêt et stop freins fonctionnent.

Batterie

Les batteries au lithium-polymère que notre société vous offre peuvent être chargées à moins 500 fois, l'utilisation normale pouvant atteindre plus de 1.000 fois.

Dépôt et soins

Ne gardez ni ne rangez la trottinette directement au soleil ou dans des endroits humides. Veuillez stocker la trottinette dans un environnement sec et chaud, loin du brouillard et de l'humidité, où la température est constante et au moins 15°. Gardez la trottinette propre et sèche. Pour le nettoyage, utilisez un chiffon humide et un détergent doux.

DEPANNAGE GENERALE

Liste de vérification

Si les produits présentent des problèmes, veuillez consulter les suivantes méthodes :

1. Ecran LED noir (il n'affiche plus)

Raison : Exposition prolongée au soleil.

Solution : Mettre la trottinette électrique à l'ombre et elle reviendra au normal après un certain temps.

2. Les valeurs affichées sur l'écran ne correspondent pas aux valeurs réelles.

Raison : Les paramètres définis sont incorrects ou ils manquent.

Solution : Veuillez réinitialiser l'écran aux réglages de fabrication.

3. Il n'y a pas d'information sur l'écran digital

Raison : Les contacts de la batterie sont défectueux ou la batterie est déchargée.

Solution : Couper l'alimentation ensuite restarter ; si le problème persiste, contacter le distributeur local.

4. Les freins arrière n'agissent pas électriquement

Raison : Le capteur frein arrière défectueux ou le câblage électrique interrompu.

Solution : Vérifier visuellement l'intégrité du capteur et du câblage électrique (à côté de la suspension arrière).

Si vous considérez que le produit ne fonctionne pas normalement, veuillez contacter votre vendeur ou le distributeur local.

CARACTERISTIQUES DU PRODUIT

S2 BOOSTER PLUS		
Caractéristiques	Taille dépliée	1020*1160*380 mm
	Taille pliée	970*330*145 mm
	Poids	10.9 Kg
Capacité	Charge maximale	110 Kg
	Vitesse maximale	30 Km/h
	Capacité en pente	pente 25 degrés
	Autonomie (la batterie complètement chargée)	maximale 35 Km
		(Varie en fonction du poids, de la vitesse, le degré d'inclination, de la force du vent, des conditions de route, de la température et d'autres facteurs)
Consommation d'énergie	6.15 Wh – 7.5 Wh / Km	
	(Varie en fonction du poids, de la vitesse, le degré d'inclination, de la force du vent, des conditions de route, de la température et d'autres facteurs)	
Paramètres de la Batterie	Type	Batterie lithium-polymère
	Capacité	33 V ; 6,5 Ah
Paramètres du moteur	Type moteur	Moteur à courant continu sans balais
	Puissance	500 W
Paramètres du chargeur	Input voltage	110 V/220 V
	Temps de charge (chargeur)	1.5 - 2 heures (3.5 A)

Patinete eléctrico portátil

Una nueva era en la movilidad urbana

INSTRUCCIONES DE USO BOOSTER PLUS

¡Le agradecemos por haber comprado nuestro producto!

Esta guía de uso ha sido elaborada para proporcionarle informaciones importantes que te ayuden a utilizar en plena seguridad la patinete E-TWOW



CONTENIDO

AVISO	45
SEGURIDAD.....	46
PARTES PRINCIPALES	47
ETAPAS DE PLEGADO/ DESPLEGADO	48
Etapas de plegado	48
Pasos para el plegado	48
Pasos para el desplegado	49
OPERACION	50
1.Introducción a los componentes de la paciente.....	50
2.Instrucciones de explotación	50
a) Arrancar/parar.....	50
b)Control de la velocidad.....	50
c)Control del frenado.....	50
d)Pito.....	51
e)Luces LED	51
f)Mostrar el kilometraje.....	51
g)Frenado de emergencia	51
3.Mostrar la configuración de fábrica	51
Menú para configurar el límite de velocidad	52
Menú para la configuración del paciente.....	52
OPERACION DE CONDUCIR	253
Preparación	253
Arrancar	253
Frenar	253
Piloto automático	253
Zero start	253
Limitar la velocidad.....	53
BATERIA Y CARGADOR.....	54
Bateria	54
Cargador.....	54
Como cargarlo?	54
MANTENIMIENTO.....	55
Lubrificación	55
Bateria	55
Almacenamiento y cuidados	55
Solucionar problemas generales.....	55
CARACTERISITCAS DEL PRODUCTO.....	56



AVISO

LEER Y SEGUIR TODAS LAS INSTRUCCIONES Y LAS ADVERTENCIAS DE ESTE MANUAL PARA PODER CONDUCIR EN PLENA SEGURIDAD EL PATINETE ELÉCTRICO E-TWOW Y PARA EVITAR LAS LESIONES, LOS ACCIDENTES O LA PÉRDIDA DEL CONTROL.

Consulte las leyes y los reglamentos locales para comprobar donde y como puede usted utilizar el patinete eléctrico E-TWOW. Respete todas las leyes aplicables a los vehículos y a los peatones de su país.

Esta guía incluye las instrucciones básicas para utilizar el patinete eléctrico E-TWOW, pero no puede cubrir todas las situaciones de lesiones o muerte. LOS USUARIOS DEBEN SER PRUDENTES PARA DETECTAR Y EVITAR LOS RIESGOS Y LOS PELIGROS que se pueden encontrar durante el uso del patinete eléctrico E-TWOW. Al utilizar este patinete eléctrico E-TWOW, se asume los riesgos inherentes del uso de este producto.

LA IMPRUDENCIA EN EL USO DEL PRODUCTO Y LA INEJECUCIÓN DE ESTAS ADVERTENCIAS PUEDEN CAUSAR LESIONES GRAVES. USE EL PATINETE ELÉCTRICO CON MUCHO CUIDADO PARA UN FUNCIONAMIENTO SEGURO.

¡TENGAN SIEMPRE CUIDADO!

SEGURIDAD

1. El producto va destinado a adultos (mayores de 18 años). Por favor no transporte dos adultos al mismo tiempo. Está prohibido el uso de este producto para los menores.
2. Siempre inspeccione el patinete eléctrico antes de utilizarlo. La inspección y el mantenimiento correcto pueden reducir el riesgo de lesionarse.
3. Por favor, use el casco de seguridad y otros equipos de protección cuando está conduciendo. Utilizar un casco de bicicleta o de monopatín autorizado que le quede bien, con correa en la barbilla y que proteja la parte posterior de la cabeza. Las leyes locales pueden exigir a los conductores de dichos vehículos con dos ruedas que lleven casco y otros equipos de protección. Nunca conduzca descalzo el patinete eléctrico o en sandalias o zapatos de tacón alto.
4. No conduzca el patinete eléctrico en los carriles o en las carreteras inseguras y no incumpla las normas legales.
5. Por favor, practique en zonas amplias y conduzca después de haber aprendido las tácticas de uso, no conduzca en los carriles.
6. No haga ningún movimiento peligroso durante el conducir y no conduzca con una sola mano. Mantenga sus pies dentro del patinete eléctrico.
7. No intente conducir el patinete eléctrico en las escaleras o zonas irregulares con una altura de más de 3 cm porque puede resbalar, causando lesiones al conductor y/o daños para el patinete eléctrico.
8. La velocidad máxima es de 30 km/h. Para su seguridad, por favor limite la velocidad a 20 km/h. Trate de evitar el uso durante la noche y solamente si es necesario, limite la velocidad a 12 km/h o menos y encienda las luces.
9. No utilice el patinete eléctrico si la temperatura exterior es por debajo de 0°C.
10. Reduzca la velocidad o baje del patinete eléctrico si las condiciones de circulación son inadecuadas.
11. No conduzca el patinete eléctrico en superficies resbaladizas o en hielo.
12. Ajuste el manillar según su altura para garantizar la seguridad.
13. Para evitar la deterioración de las partes eléctricas, por favor no introduzcan el patinete eléctrico en el agua y no lo lave con agua bajo presión.
14. Para su seguridad y para la protección del patinete eléctrico, por favor no conduzca cuando haga mal tiempo (lluvia o nieve).
15. No conduzca el patinete eléctrico **E-TWOW** si ha consumido bebidas alcohólicas.

PARTES PRINCIPALES



1. Manija del manillar
2. Pantalla
3. Luces LED
4. Pito
5. Palanca de bloqueo

6. Gancho de plegado
7. Enchufe cargar batería
8. Palanca de plegado
9. Eje plegado
10. Frenos traseros

ETAPAS DE PLEGADO/ DEPLEGADO

Etapas de plegado



A – Desplegado



B – Manijas plegadas



C – Completamente plegado

Pasos para el plegado

1. Abrir la **palanca de bloqueo** como en las figuras (a) y (b).
2. Pulsar el **botón**, figura (c), apretando al mismo tiempo el manillar, como se muestra en la figura (d) y empujar la **palanca de bloqueo** en la posición de bloqueo.
3. Sujetar el **manillar** con las dos manos pulsando los botones con los pulgares como en la figura (e). Tirar los mangos del **manillar** figura (e) y plegar hacia abajo al máximo, como en la figura B.
4. Empujar el **manillar** en frente al pulsar la **palanca de plegado**, en la dirección de las flechas de la figura (f).
5. Seguir plegando el patinete eléctrico hasta que el **gancho de plegado** llegue a la **apertura** ubicada en los **frenos traseros**, según muestra la figura (g) a continuación.



(a)



(b)



(c)



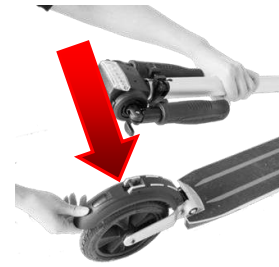
(d)



(e)



(f)



(g)

Pasos para el desplegado

1. Pulsar el **freno trasero** en la dirección indicada por la flecha de la figura (h), hasta librar el **gancho de plegado** de la apertura ubicada sobre el freno trasero. Luego, elevar el **manillar** hasta que encaje en la posición de trabajo y el eje **de bloqueo** entre completamente en su sitio, como se muestra en la figura (i).
2. Levantar los dos mangos del **manillar** hasta que vuelvan automáticamente a la posición de trabajo, como en la figura A.
3. Empujar la **palanca de bloqueo** como muestra las figuras (a) y (b) y levantar el manillar a la altura deseada. A continuación, pulsar el botón de la figura (c) y colocarlo en uno de los dos agujeros, según la altura del manillar deseada. Apretar la tuerca de la palanca de bloqueo al máximo, y luego cerrar la palanca para la posición de funcionamiento.



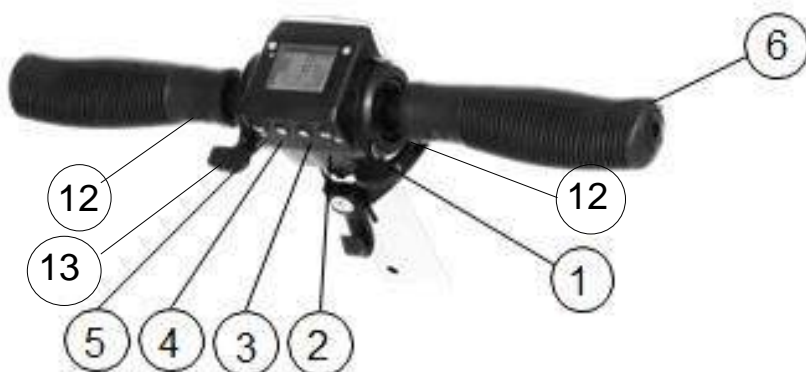
(h)



(i)

OPERACION

1. Introducción a los Componentes del Patinete



1. Palanca de aceleración
2. Botón de Arrancar/Parar el patinete
3. Botón configuración
4. Botón encender/apagar luces
5. Botón pito
6. Mango
7. Soporte controler
8. Palanca de plegado
9. Guardabarras delantera
10. Protección frontal batería
11. Tapa protectora
12. Botones para plegar manillarghidon
13. Palanca de freno



2. Instrucciones de explotación

a) ARRANCAR/PARAR

Pulsar el botón durante 3 segundos y la pantalla se encenderá indicando que la alimentación está en uso. Pulsar durante 3 segundos si desea apagarla. Esta se apagará si no la utiliza durante 3 minutos.

b) Control de la velocidad

Pulsar la palanca de aceleración accionada con el pulgar de la mano derecha para controlar la velocidad (1-30 km/h).

c) Control de los frenos

Pulsar la palanca de frenado accionada con el pulgar de la mano izquierda y los frenos electromagnéticos serán accionados. Cuanto más fuerte sea su aprieto, mayor será la fuerza de frenado.

d) Pito

Conectar la alimentación y luego, al pulsar el botón de pito, este pitará.

e) Luces LED

En el modo manual: Pulsar el botón Encender/apagar Luces cuando hace falta y la pantalla mostrará que las luces están encendidas. Pulsar otra vez el botón cuando ya no hacen falta las luces.

El patinete eléctrico está equipado con un sensor de luz que detecta la falta de luz. Las luces se encenderán automáticamente (modo automático) si el sensor detecta una luz ambiental baja.

Por ejemplo: cuando está nublado y el modo automático está activado, las luces se encienden. Si la luz del día es correcta, el modo automático detecta la luz y las luces se apagarán en 5 segundos.

En modo automático, la pantalla está también iluminada según la luz ambiental.

Si el patinete eléctrico está en modo automático, puede pasar al modo manual pulsando el botón de Encender/Apagar Luces.

Si usted quiera apagar las luces frontales del patinete eléctrico se apagará también las luces traseras (stop). En este caso, las luces traseras se apagará solamente si frena.

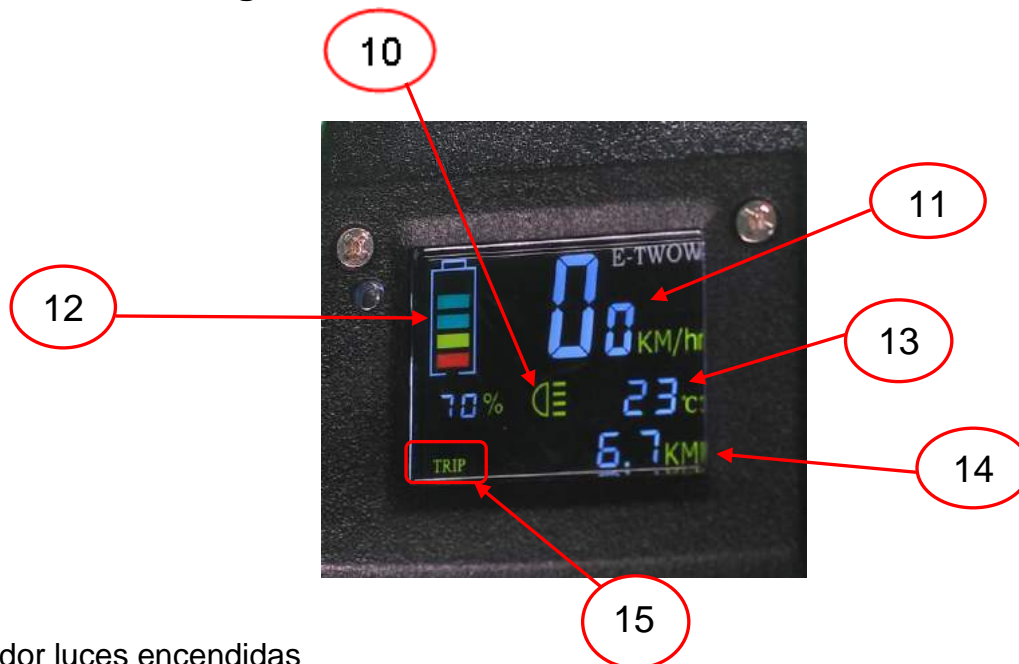
f) Mostrar los kilómetros

Cuando la pantalla está encendida, se muestran 2 modos: recorrido total y viaje. Puede cambiarlos pulsando el botón (S) de ajustes. En modo "trip", pulsar el botón (S) ajuste durante 3 segundos y el viaje será borrado.

g) Frenado de emergencia

Cuando necesite un frenado rápido, le aconsejamos que utilice el freno de pie.

3. Mostrar las configuraciones de fábrica



10 – Indicador luces encendidas

11 – Velocidad

12 – Nivel batería

13 – Temperatura

14 – Mostrar la distancia total o del trayecto

15 – Total trayecto (ODO) o total desde la última reconfiguración (TRIP)

Menú para la configuración del límite de velocidad

a. Para activar la función de limitación de velocidad:

- Parar el patinete
- Pulsar la palanca de freno hasta abajo y mantenerla Pulsada
- Arrancar el patinete

La pantalla mostrará „L1”

b. Para elegir otra configuración del límite de velocidad pulsar el botón [LIGHT] L1- L2 - L3 - L4 - L5

- Para guardar la opción elegida, pulsar el botón [SET]
- Para guardar y finalizar las configuraciones, librar la palanca de freno.



- L1 = Limitación velocidad máxima a 6 km/h
- L2 = Limitación velocidad máxima a 12 km/h
- L3 = Limitación velocidad máxima a 20 km/h
- L4 = Limitación velocidad máxima a 25 km/h
- L5 = Limitación velocidad máxima a 30 km/h

Menú para la configuración del patinete

a. Para elegir una de las 3 configuraciones:

- Arrancar el patinete
- Pulsar la palanca de freno hasta abajo y mantenerla pulsada
- Pulsar el botón [POWER]

La pantalla mostrará: „P1”

b. Para elegir una de las configuraciones pulsar el botón [LIGHT] P1- P2- P3*

Para guardar la opción elegida, pulsar el botón [SET]

Para guardar y finalizar las configuraciones, librar la palanca de freno.



- P1 = Zero Start [ON/OFF]
- P2 = Piloto automático [ON/OFF]
- P3* = Aceleración [ON/OFF]

*P3 – esta configuración cancela la aceleración y transforma las dos palancas en palancas de freno regenerativo

ERROR CODE

E1 – Protección contra la sobretensión – aparece cuando estamos acelerando y el motor tiene un impedimento que no le deja funcionar. Este error se borrará después de soltar el acelerador.

E2 – Error de comunicación – este error se borrará después del inicio de la interacción con el patinete (por ejemplo, acelerar o frenar, según el caso).

E3 – Error de sobretensión



OPERACION DE CONDUCIR

Preparación

1. Elegir un sitio adecuado para conducir el patinete eléctrico.
2. Desplegar el patinete eléctrico según la descripción.
3. Ajustar el palo a la altura adecuada según su altura.

Arrancar

1. Pulsar el botón de alimentación para conectar la alimentación.
2. Estar de pie con un pie sobre el patinete eléctrico y con el otro sobre la tierra.
3. Pulsar suavemente la aceleración con el pulgar derecho, el patinete eléctrico se avanzará lentamente en seguida. Colocar el pie que está en el suelo sobre el patinete eléctrico. Con el pulgar derecho pulse el acelerador; cuanto mayor sea la presión, mayor será la velocidad.

Frenar

1. Frenos electromagnéticos – si pulsamos con el pulgar izquierdo, el freno electromagnético se activará, lo que cortará inmediatamente el suministro de energía del patinete eléctrico y luego su frenado. Cuanto más duro se presiona la palanca, mayor será la fuerza del frenado.

2. Frenado mecánico - E-TWOW está equipado también con frenos mecánicos que se activan al pulsar con el pie el guardabarros trasero. Esto activa un sensor que corta el suministro de energía del motor.

Piloto automático – P2

Esta opción permite configurar y mantener una velocidad constante para el patinete eléctrico **E-TWOW**, sin necesidad de mantener pulsado el acelerador. Esto se hace presionando el acelerador y mantener una velocidad constante durante 5 segundos. Luego, puede librar el acelerador y el patinete seguirá rodando con la velocidad configurada. Asimismo, puede parar fácilmente la función presionando el acelerador o los frenos. La función de “cruise control” no está activada implícitamente, es usted quien debe activarla después de la compra del patinete. La función puede ser activada o desactivada de la unidad central de control.

Zero start – P1

Esta función ha sido introducida para incrementar la seguridad del uso. Una vez activada, la función permite la aceleración del patinete solamente después de que el patinete está al principio empujado suavemente con el pie y la rueda está ya puesta en movimiento, evitando así accionar el acelerador accidentalmente. La función puede ser activada o desactivada desde la unidad central de control.

Limitador de velocidad – L1, L2, L3, L4, L5

La legislación de muchos países impone un límite de velocidad. Para utilizar esta opción, una vez establecida una velocidad máxima, el patinete no podrá superar la velocidad configurada. Las opciones de limitación de la velocidad son de 6 km/h, 12 km/h, 20 km/h, 25 km/h y 30 km/h. La función puede ser activada o desactivada desde la unidad central de control.

BATERIA Y CARGADOR

Cada patinete eléctrico **E-TWOW** está equipado con una batería especial de litio-polímero y un cargador inteligente, especial. Estos accesorios que acompañan cada producto tienen un número dedicado, por favor no utilice los cargadores de otras marcas. Si el producto, la batería o el cargador son dañados por esta culpa, nuestra compañía no será responsable. Asimismo, cada modelo tiene un tipo dedicado de cargador, como se detalla a continuación.

¡Por favor, no utilice un cargador de otro modelo! (37.4 V; 3.5 Ah).

Baterie

A la primera utilización del patinete eléctrico **E-TWOW**, por favor cargar completamente la batería. Las baterías pueden ser cargadas a cualquier nivel, pero es aconsejable que mantenga mucho más tiempo la batería cargada al máximo.

Evitar conducir con una batería cargada por debajo de 50%, para garantizar que queda energía para el viaje de regreso.

Atención: No utilizar baterías de otras marcas, estas no funcionaran con el patinete eléctrico **E-TWOW**.

Por favor, cargar la batería a los tres meses, aunque no vuelva a utilizar el patinete eléctrico, para mantener la batería funcional y para prolongar su vida útil.

La inmersión en agua, los choques y otros factores anormales dañaran la batería; en este caso la garantía no lo cubrirá.

CARGADOR

La compañía ofrece un cargador dedicado que tiene una función de protección durante la carga, cuando la batería esta 100% cargada, el cargador se detendrá automáticamente. La duración de carga es de máximo 3 horas.

La inmersión en agua, los choques y otros factores anormales dañaran el cargador; en este caso la garantía no lo cubrirá.

¿Cómo cargarlo?

Primero, abrir la tapa protectora de caucho e introducir el cargador en el orificio para cargar, luego enchufar el cargador.

Aviso: el patinete se está cargando cuando la luz del cargador está en rojo; la luz del cargador es verde cuando la batería está completamente cargada.



MANTENIMIENTO

Lubrificación

Cada mes lubricar con un pulverizador de vaselina a base de silicona los elementos móviles. Ver figura detallada a continuación.



Por favor, comprobar cada mes el patinete eléctrico para que los tornillos no estén sueltos.

Antes de cada uso, debe comprobar los elementos de seguridad:

- los tornillos de la rueda delantera/trasera están bien apretados;
- el eje de plegado, el botón de ajuste altura, la palanca de bloqueo del manillar están en posición de servicio;
- los frenos, las luces, la lampara de posición y de freno funcionan.

Batería

Las baterías de litio-polímero proporcionados por nuestra empresa pueden se pueden recargar al menos 500 veces, su uso normal pudiendo llegar a más de 1.000 veces.

Almacenamiento y cuidados

No exponer el patinete eléctrico al sol o en sitios húmedos durante mucho tiempo. Por favor, guardar el patinete eléctrico limpio y seco. Por favor, guardar el patinete en un sitio seco y cálido, lejos del viento y la humedad, donde la temperatura este constante y al menos de 15 grados. Por favor, mantener su patinete limpio y seco. Para limpiarlo, utilizar un trapo mojado y un detergente suave.

SOLUCIONAR PROBLEMAS GENERALES

Listado de verificación

Si los productos tienen problemas, por favor consultar los siguientes métodos:

1. Pantalla LED es de color negro (ya no muestra nada)

Motivo: Exposición prolongada al sol.

Solución: colocar el patinete eléctrico a la sombra y la pantalla volverá a la normalidad después de un tiempo.

2. Los valores de la pantalla no cuadran con los valores reales.

Motivo: Los parámetros están configurados incorrectamente o faltan.

Solución: Por favor, restablecer la pantalla a la configuración de fábrica.

3. No hay información en la pantalla digital

Motivo: Los contactos de la batería están defectuosos o la batería esta descargada.

Solución: Cortar la alimentación y luego volver a activarla; si el problema persiste, póngase en contacto con el distribuidor local.

5. El freno trasero no acciona eléctricamente

Motivo: El sensor freno trasero defectuoso o cableado eléctrico interrumpido.

Solución: Comprobar visualmente la integridad del sensor y del cableado eléctrico (se encuentra al lado de la suspensión trasera)

Si considera que el producto no funciona normal, por favor póngase en contacto con el vendedor o el distribuidor local.

ESPECIFICACIONES DEL PRODUCTO

		BOOSTER PLUS
Características	Dimensión extendida completamente	1020*1160*380 mm
	Dimensión plegada completamente	970*330*145 mm
	Peso	10.9 Kg
Capacidad	Carga máxima	110 Kg
	Velocidad máxima	30 Km/h
	Capacidad subir pendiente	Hasta 25 grados
	Autonomía (con la batería completamente cargada)	Máximo 35 Km
		(depende del peso, la velocidad, el grado de inclinación, la velocidad del viento, las condiciones de la carretera, temperatura y otros factores)
	Consumo de energía	6.15 Wh – 7.5 Wh / Km
(depende del peso, la velocidad, el grado de inclinación, la velocidad del viento, las condiciones de la carretera, temperatura y otros factores)		
Parámetros de la batería	Tipo	Batería litio-polímero
	Capacidad	33 V; 6,5 Ah
Parámetros del motor	Tip motor	Motor de corriente continua sin escobillas
	Potencia máxima del motor	500 W
Parámetros del cargador	Tensión de entrada	110 V/220 V
	Tiempo de carga (cargador)	1.5 - 2 horas (3.5 A)

Tragbarer Elektroroller

Eine neue Ära in der Mobilität in der Stadt

HANDBUCH BOOSTER PLUS

Herzlichen Glückwunsch für Ihren Kauf!

DIESES HANDBUCH WURDE ENTWICKELT, SO DASS SIE WERTVOLLE INFORMATIONEN ZU ERHALTEN, DIE IHNEN IN DER SICHEREN ANWENDUNG DER ROLLER E-TWOW HELFEN WERDEN



INHALT

WARNUNG	59
SICHERHEIT	60
HAUPTTEILE	61
FALTUNG-/ENTFALTUNGSTUFEN.....	62
Faltungstufen.....	62
Faltungsschritte	62
Entfaltungsschritte.....	63
BEDIENUNG.....	364
1. Einführung in die Komponenten des Lenkers	364
2. Betriebsanleitung.....	64
a) Start/Stop	64
b) Geschwindigkeitskontrolle.....	64
c) Bremskontrolle	64
d) Horn	64
e) LED-Scheinwerfer.....	65
f) Anzeige des Drehzahlmessers.....	65
g) Notfall.....	65
3. Anzeige der Werkseinstellungen	65
Einstellungsmenü zur Geschwindigkeitsbegrenzung	66
Einstellungsmenü für den Roller	66
FAHRBETRIEB.....	67
Vorbereitung	67
Starten.....	67
Bremsung	67
Autopilot.....	67
Nullstart	67
Geschwindigkeitsbegrenzung.....	67
BATTERIE UND LADEGERÄT.....	68
Batterie	68
Ladegerät	68
Wie zu laden?.....	68
WARTUNG	4169
Schmierung	69
Batterie	69
Lagerung und Pflege	69
ALLGEMEINE FEHLERBEHEBUNG	69
PRODUKTSPEZIFIKATIONEN.....	70



WARNUNG

LESEN UND FOLGEN ALLE ANWEISUNGEN UND WARNUNGEN IN DIESEM HANDBUCH, UM DEN E-TWOW ELEKTOROLLER IN SICHERHEIT ZU FAHREN UND VERLETZUNGEN, KOLLISION ODER VERLUST DER KONTROLLE ZU VERMEIDEN.

Überprüfen Sie die lokalen Gesetze und Vorschriften, um zu sehen, wo und wie Sie den E-TWOW Elektroroller gesetzlich verwenden können. Befolgen Sie alle Gesetze Ihres Landes für Fahrzeuge und Fußgänger.

Dieses Handbuch enthält grundlegende Hinweise für die Verwendung von E-TWOW Elektroroller, aber kann nicht alle hypothetischen Verletzungssituationen abdecken. NUTZER SOLLTEN VORSICHT ZEIGEN, UM RISIKEN UND GEFAHREN, die während der Verwendung des E-TWOW Fahrzeugs auftreten können, ZU ERKENNEN UND ZU VERMEIDEN. Durch Verwendung des E-Twow Elektrorollers werden Sie die Risiken bei der Verwendung dieses Produkts übernehmen.

UNSACHGEMÄSSE VERWENDUNG DES PRODUKTES UND NICHT-EINHALTUNG DIESER WARNUNGEN KÖNNEN ZU SCHWEREN VERLETZUNGEN FÜHREN. VERWENDEN SIE DEN ELEKTOROLLER MIT ANGEMESSENER UND BEGRÜNDETER AUFMERKSAMKEIT FÜR EINEN SICHEREN BETRIEB.

SEIEN SIE IMMER VORSICHTIG!

SICHERHEIT

1. Das Produkt ist für Erwachsene (über 18 Jahre) bestimmt. Bitte tragen Sie nicht zwei Erwachsene in der gleichen Zeit. Minderjährigen wird es nicht erlaubt, dieses Produkt zu verwenden.
2. Überprüfen Sie grundsätzlich den Elektroroller vor Einsatz. Inspektion und ordnungsgemäße Wartung können die Verletzungsgefahr reduzieren.
3. Bitte tragen Sie Schutzhelm und andere Schutzausrüstung, wenn sie fahren. Verwenden Sie ein zugelassenes Fahrrad- oder Skateboard-Helm, dass Ihnen gut anpasst, mit Kinnriemen und das die Rückseite des Kopfes schützt. Lokale Gesetze können Fahrer von zweirädrigen Fahrzeugen erfordern, einen Helm und andere Schutzausrüstung zu tragen. Fahren Sie den Elektroroller nie barfuß, mit Fingerbereich geschnittenen Schuhen oder mit hohen Absätze.
4. Fahren Sie nicht den Elektroroller auf unsicheren Fahrspuren oder Straßen und verstoßen Sie nicht die örtlichen Vorschriften.
5. Üben Sie in großen Bereichen und fahren nach dem Sie die Gebrauchtaktik gelernt haben.
6. Machen Sie keine gefährliche Bewegung während Fahren und fahren Sie nicht mit einer Hand. Halten Sie Ihre Füße auf die Plattform des Rollers.
7. Versuchen Sie nicht, Elektroroller auf Treppen oder unebenen Flächen über 3 cm zu fahren, weil es fallen kann, und Kopfverletzungen und/oder Schäden an Elektroroller verursacht werden können.
8. Die Höchstgeschwindigkeit beträgt 30 km/h. Zu Ihrer eigenen Sicherheit bitte Geschwindigkeit auf 20 km/h begrenzen. Versuchen Sie den Einsatz bei Nacht zu vermeiden und, falls erforderlich, begrenzen Sie die Geschwindigkeit auf 12 km/h oder weniger und schalten Sie die Scheinwerfer.
9. Die Verwendung des Elektrorollers auf einer Umgebungstemperatur von weniger als 0°C wird nicht empfohlen.
10. Verlangsamen Sie oder steigen Sie den Elektroroller, wenn Straßenverhältnisse ungeeignet werden.
11. Fahren Sie den Elektroroller nicht auf rutschigem Untergrund oder auf Eis.
12. Stellen Sie den Lenker angepasst an Ihrer Höhe, um Sicherheit zu gewährleisten.
13. Um Schäden an elektrischen Teile des Fahrzeugs zu verhindern, führen Sie bitte nicht den Elektroroller in Wasser ein oder waschen Sie es nicht mit Wasser unter Druck.
14. Für Ihre Sicherheit und Schutz des Elektrorollers, fahren Sie es bitte nicht, wenn es das Wetter es nicht ermöglicht (Regen oder Schnee).
15. Fahren Sie den **E-TWOW** Elektroroller nicht, wenn Sie Alkohol getrunken haben.

HAUPTTEILE



1. Lenker
2. Bildschirm
3. LED-Scheinwerfer
4. Horn
5. Verriegelungshebel

6. Falthaken
7. Batterieladestecker
8. Falthebel
9. Faltspindel
10. Hinterradbremse

FALTUNG-/ENTFALTUNGSTUFEN

Faltungstufen



A - entfaltet



B – gefalteter Lenker



C – vollgefaltet

Faltungsschritte

1. Öffnen Sie der **Verriegelungshebel** in der Richtung des Pfeils, wie in den Bildern (a) und (b).
2. Drücken Sie die **Taste**, wie im Bild (c), und drücken gleichzeitig die Lenker, wie im Bild (d) und drücken den **Verriegelungshebel** in die verriegelte Stellung.
3. Halten Sie den **Lenker** mit beiden Händen, drücken Sie die von Fingern des Modells im Bild (e) hingewiesenen Tasten. Ziehen Sie die Handgriffe des **Lenkers**, Figur (e) und falten Sie nach unten zu einem Maximum, wie im Bild B.
4. Drücken Sie den **Lenker** nach vorne, wenn Sie den **Falthebel** drücken, in der Richtung des Pfeils im Bild (f).
5. Gehen Sie mit dem Falten des Elektrorollers, bis der **Falthaken** die **Öffnung** an der **hinteren Bremse** erreicht, wie in dem obigen Bild (g).



(a)



(b)



(c)



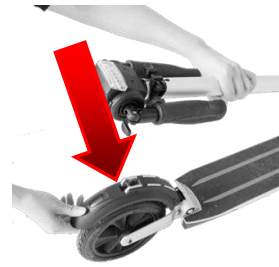
(d)



(e)



(f)



(g)

Entfaltungsschritte

1. Drücken Sie die **Hinterradbremse** in der Richtung des Pfeils in der Figur (h), bis zur Freigabe des **Falthakens** in der Öffnung an der hinteren Bremse. Dann heben Sie den **Lenker**, bis es die Arbeitsposition erreicht und die **Verriegelungswelle** in seinem Platz fällt, wie im Bild (i).
2. Heben Sie die beiden Griffe des **Lenkers**, bis sie automatisch in die Arbeitsposition zurückkehren, Bild A.
3. Drücken Sie den **Verriegelungshebel** in Pfeilrichtung in den Bildern (a) und (b) und heben Sie den Lenker in der gewünschten Höhe. Drücken Sie nun die Taste im Bild (c) und sichern Sie es in eine den Löchern fallen, in der gewünschten Lenkerhöhe. Ziehen Sie den Verriegelungshebel bis zu einem Maximum, und dann schließen Sie den Hebel in die Laufposition.



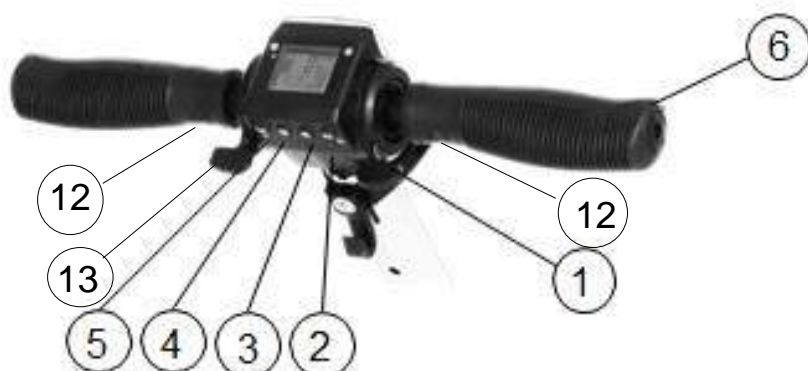
(h)



(i)

BEDIENUNG

1. Einführung in die Komponenten des Lenkers



1. Gashebel
2. Start/Stop Knopf
3. Einstellungsknopf
4. Leuchte Start/Stop Knopf
5. Hornknopf
6. Griff
7. Unterstützungsregler
8. Faltungstaste
9. Flügel vorne
10. Frontschutz der Batterie
11. Schutzdeckel
12. Lenker Faltungstasten
13. Bremshebel



2. Betriebseinleitung

a) Start/Stop

Drücken Sie den Knopf für 3 Sek. und der Bildschirm leuchtet auf, was darauf hindeutet, dass das Gerät eingeschaltet ist. Drücken Sie für 3 Sekunden, wenn Sie aufhören wollen. Er stoppt, wenn Sie es nicht für 3 Minuten verwenden.

b) Geschwindigkeitskontrolle

Drücken Sie den Gashebel mit dem Daumen der rechten Hand, um die Geschwindigkeit zu steuern (1-30 km/h).

c) Bremskontrolle

Drücken Sie den Bremshebel mit dem Daumen der linken Hand und die elektromagnetische Bremse wird angewandt. Je stärker Sie drücken, desto größer ist die Bremskraft.

d) Horn

Schalten Sie das Gerät auf, und dann, wenn Sie die Horn-Taste drücken, wird es hupen.

e) LED-Scheinwerfer

Im manuellen Modus: Drücken Sie den Leuchte Start/Stop Knopf, wenn nötig, und der Bildschirm wird zeigen, dass das Licht eingeschaltet ist. Drücken Sie die Taste erneut, wenn Sie Licht nicht brauchen.

Elektroroller wird mit einem Lichtsensor ausgestattet, die Licht-Notwendigkeit erkennt. Das Licht wird automatisch aufleuchten (automatisch), wenn der Sensor geringes Umgebungslicht detektiert.

Zum Beispiel: wenn das Wetter trüb ist und Automatikmodus eingeschaltet ist, schaltet sich das Licht an. Wenn Tageslicht richtig ist, erkennt Automatikmodus das Licht und schaltet Scheinwerfer nach 5 Sekunden aus.

Im Automatikmodus wird der Bildschirm auch durch Umgebungslicht beleuchtet.

Wenn Elektroroller im Automatikmodus läuft, können Sie in dem manuellen Modus wechseln, indem Sie den Leuchte Start/Stop Knopf drücken.

Im Falle, dass Sie die vordere Lampe des Elektrorollers ausschalten, schaltet sich auch die hintere Lampe (Stop) aus. In diesem Fall die hintere Lampe schaltet nur bei Bremsung an.

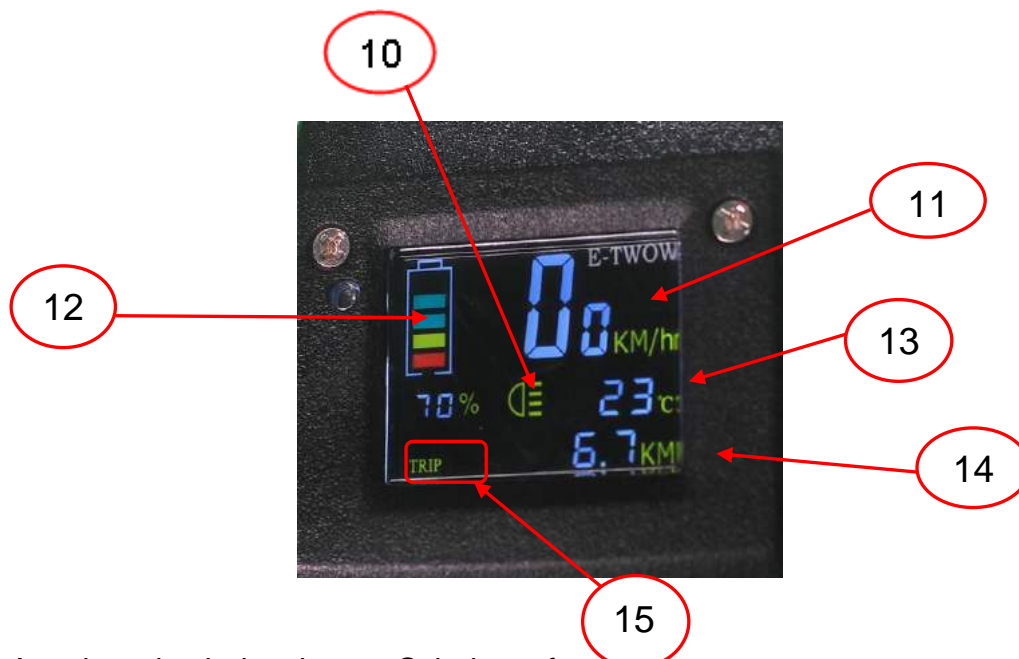
f) Anzeige des Kilometerstandes

Wenn der Bildschirm eingeschaltet ist, werden 2 Möglichkeiten gezeigt: Gesamtstrecke und Reisen. Sie können sie ändern, indem Sie die Taste (S) Einstellungen drücken. In „Reise“, drücken Sie die Taste (S) Einstellungen für 3 Sekunden und die Reise wird gelöscht.

g) Notfallbremsung

Wenn eine schnelle Bremsung notwendig ist, verwenden Sie die Fußbremse.

3. Anzeige der Werkseinstellungen



10 – Anzeiger des beleuchteten Scheinwerfers

11 – Geschwindigkeit

12 – Batterie

13 – Temperatur

14 – Zeigt die gesamte Strecke oder Reise

15 – Gesamtweg (ODO) oder Gesamt nach dem letzten Reset (TRIP)

Einstellungsmenü zur Geschwindigkeitsbegrenzung

a. Um die Funktion Geschwindigkeitsbegrenzung zu aktivieren:

- Halten Sie den Roller an
- Drücken Sie den Bremshebel bis unten und halten ihn gedrückt.
- Starten Sie den Roller „L1“ erscheint auf den Bildschirm

b. Für die Wahl einer anderen Einstellung der Geschwindigkeitsbegrenzung, drücken Sie den Knopf [LIGHT] L1- L2 - L3 - L4 - L5

- Für die Speicherung der Option, drücken Sie den Knopf [SET]
- Um die Einstellungen zu speichern und abzuschließen, stellen Sie den Bremshebel frei.



L1=Geschwindigkeitsbegrenzung 6 km/h
L2=Geschwindigkeitsbegrenzung 12 km/h
L3=Geschwindigkeitsbegrenzung 20 km/h
L4=Geschwindigkeitsbegrenzung 25 km/h
L5=Geschwindigkeitsbegrenzung 30 km/h

Einstellungsmenü für den Roller

a. Für die Wahl einer von den 3 Einstellungen:

- Starten Sie den Roller
- Drücken Sie den Bremshebel bis unten und halten ihn gedrückt
- Drücken Sie den Knopf [POWER] „P1“ erscheint auf den Bildschirm.

b. Für die Wahl einer der Einstellungen drücken Sie den Knopf [LIGHT] P1- P2- P3*

Für die Speicherung der Option, drücken Sie den Knopf [SET]



P1 = Nullstart [ON/OFF]
P2 = Autopilot [ON/OFF]
P3*= Beschleunigung [ON/OFF]

Um die Einstellungen zu speichern und abzuschließen, stellen Sie den Bremshebel frei.

*P3 – Diese Einstellung annulliert die Beschleunigung und wandelt die beiden Hebel in Hebel der regenerativen Bremse

ERROR CODE

E1 - Überstromschutz – erscheint, wenn der Roller beschleunigt wird und das Motor behindert wird, um zu arbeiten. Dieser Fehler wird nach der Freistellung des Gashebels gelöscht.

E2 - Kommunikationsfehler – dieser Fehler wird nach dem Beginn der Interaktion mit dem Roller erlöscht (zum Beispiel Beschleunigung oder Bremsung, je nach dem Fall).

E3 – Überspannungsfehler



FAHRBETRIEB

Vorbereitung

1. Wählen Sie einen geeigneten Platz zum Antrieb von Elektrorollern.
2. Entfalten Sie den Elektroroller, wie beschrieben.
3. Stellen Sie den Lenker in der richtigen Höhe je nach Ihrer Höhe.

Start

1. Drücken Sie die Schaltungstaste, um das Gerät einzuschalten.
2. Stehen Sie mit einem Fuß auf dem Elektroroller und mit dem anderen Fuß auf dem Boden.
3. Drücken Sie leicht das Gashebel mit dem rechten Daumen, der Elektroroller bewegt sich sofort langsam vorwärts. Stellen Sie Ihren Fuß von dem Boden auf dem Elektroroller. Mit dem Daumen der rechten Hand drücken Sie das Gashebel; je höher der Druck, desto mehr steigt die Geschwindigkeit.

Bremmung

1. Elektromagnetische Bremsung – wenn wir mit dem Daumen der linken Hand drücken, wird die elektromagnetische Bremsung aktiviert, was zur sofortigen Unterbrechung der Zufuhr des Elektrorollers und dann zur Bremsung führen wird. Je härter der Hebel gedrückt wird, desto höher wird die Bremskraft sein.

2. Mechanische Bremsung - E-TWOW ist auch mit einer mechanischen Bremse ausgestattet, die durch Drücken mit dem Fuß auf dem Heckflügel betätigt wird. Dies aktiviert einen Sensor, der die Stromzufuhr zum Motor unterbricht.

Autopilot – P2

Diese Option ermöglicht es Ihnen, eine konstante Geschwindigkeit für E-twow Elektroroller einzustellen und zu halten, ohne dass das Gashebel gedrückt zu halten. Dies erfolgt durch Drücken des Gashebels und die Haltung einer konstanten Geschwindigkeit für 5 Sekunden. Dann kann man die Drosselklappe freigeben und der Roller wird weiterhin mit der eingestellten Geschwindigkeit gehen. Sie können ganz einfach ausschalten durch ein erneutes Drücken des Gas- oder Bremshebels. Die Tempomat-Funktion wird nicht standardmäßig aktiviert, Sie müssen es nach dem Kauf des Rollers aktivieren. Die Funktion kann von der zentralen Steuereinheit aktiviert bzw. deaktiviert werden.

Nullstart – P1

Diese Funktion wurde eingeführt, um die Betriebssicherheit zu erhöhen. Somit einmal aktiviert, kann der Roller beschleunigt werden, kurz nach der Roller zunächst leicht mit dem Fuß gedrückt wird und das Rad bereits in Bewegung gesetzt wird, somit die versehentliche Beschleunigung vermieden wird. Die Funktion kann von der zentralen Steuereinheit aktiviert oder deaktiviert werden.

Geschwindigkeitsbegrenzung – L1, L2, L3, L4, L5

Die Gesetzgebung vieler Länder hängt eine Begrenzung der Geschwindigkeit an. Durch diese Option, wenn eine Höchstgeschwindigkeit gesetzt wird, kann der Roller die so eingestellte Geschwindigkeit nicht überschreiten. Die Optionen der Geschwindigkeitsbegrenzung sind 6 km/h, 12 km/h, 20 km/h, 25 km/h und 30 km/h. Die Funktion kann von der zentralen Steuereinheit aktiviert oder deaktiviert werden.

BATTERIE UND LADEGERÄT

Jede **E-TWOW** Elektroroller wird mit einem speziellen Lithium-Polymer-Akku und speziellen Smart-Ladegerät ausgestattet. Diese Zubehörteile, die mit jedem Produkt kommen, haben eine bestimmte Nummer, benutzen Sie bitte nicht Ladegeräte von anderen Marken. Wenn das Produkt, die Batterie oder das Ladegerät durch Verwendung anderer Marken beschädigt werden, haftet unser Unternehmen nicht. Außerdem verfügt jeder Modelltyp über ein spezielles Ladegerät, wie nachfolgend beschrieben.

Bitte benutzen Sie nicht ein Ladegerät von einem anderen Modell! (37.4 V; 3.5 Ah)

Batterie

Zum ersten Einsatz von **E-TWOW** Elektroroller, laden Sie bitte die Batterie vollständig. Die Batterien können auf jeder Stufe geladen werden, aber es ist ratsam, die Batterien auf Maximum so viel Zeit wie möglich aufgeladen zu halten.

Vermeiden Sie die Reisen mit einer unter 50% geladenen Batterie, um Energie für die Rückfahrt zu gewährleisten.

Achtung: Verwenden Sie nicht Batterien von anderen Marken, diese werden mit den **E-TWOW** Elektroroller nicht arbeiten.

Bitte laden Sie die Batterie alle drei Monate, auch wenn Sie Elektroroller nicht mehr verwenden, um die Batterie funktionell zu halten und seine Lebensdauer zu verlängern.

Wassertauchen, Abstürzen und anderen abnormen Faktoren, die zur Beschädigung der Batterie führen werden, werden nicht durch die Garantie abgedeckt.

Ladegerät

Das Unternehmen bietet ein spezielles Ladegerät, das eine Schutzfunktion beim Laden hat; wenn die Batterie 100% geladen ist, wird das Ladegerät automatisch stoppen. Die Ladezeit ist innerhalb von 3 Stunden.

Wassertauchen, Abstürzen und anderen abnormen Faktoren, die zur Beschädigung des Ladegerätes führen werden, werden nicht durch die Garantie abgedeckt.

Wie zu laden?

Öffnen Sie zuerst die Gummikappe und legen Sie den Ladestecker in den Ladeanschluss, dann verbinden Sie das Ladegerät an das Stromnetz.

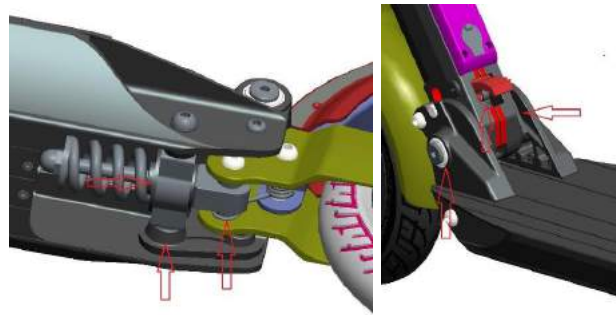
Hinweis: Roller ladet auf, wenn die Ampel des Ladegerätes rot ist und die Ampel des Ladegerätes leuchtet grün, wenn die Batterie vollständig geladen ist.



WARTUNG

Schmierung

Schmieren Sie die beweglichen Teile monatlich mit Silikonfett spray, siehe das Bild von unten.



Bitte überprüfen Sie den Elektroroller monatlich, ob die Schrauben locker sind.

Vor jedem Gebrauch müssen Sie sicherstellen, dass die Sicherheitsteile:

- Vorderrad-/Hinterrad-Schrauben festgezogen sind;
- Faltachse, Höheneinstelltaste, Verriegelungshebel des Lenkers in Betriebspositionen sind;
- Bremsen, Scheinwerfer, Rückleuchten und Bremslicht funktionieren.

Batterie

Lithium-Polymer-Batterien, die von unserer Firma angeboten werden, können mindestens 500-mal wieder aufgeladen werden und der normale Gebrauch kann mehr als 1.000 Mal erreichen.

Lagerung und Pflege

Lasse Sie der Elektroroller nicht zu lange in dem Sonnenlicht oder in der Nässe. Halten Sie bitte den Elektroroller sauber und trocken. Bitte speichern Sie den Elektroroller in einem warmen, trockenen Ort, fern von Feuchtigkeit und Strom und wo die Temperatur konstant und von mindestens 15 Grad ist. Um es zu säubern, verwenden Sie ein feuchtes Tuch und ein mildes Reinigungsmittel.

ALLGEMEINE FEHLERBEHEBUNG

Kontroll-Liste

Wenn die Produkte Probleme haben, beachten Sie bitte die folgenden Methoden:

1. LED-Bildschirm schwarz ist (zeigt nichts an)

Grund: Längere Sonneneinstrahlung.

Lösung: Setzen Sie den Elektroroller im Schatten und es wird zum Normalen nach einer Weile zurückkehren.

2. Werte auf dem Bildschirm entsprechen den tatsächlichen Werten nicht.

Grund: Die Parameter sind falsch eingestellt oder fehlen.

Lösung: Setzen Sie die Anzeige auf die Werkseinstellungen.

3. Keine Informationen auf Digitalanzeige

Grund: Die Batteriekontakte sind defekt oder die Batterie entladen ist.

Lösung: Schalten Sie das Gerät aus und dann neu starten; wenn das Problem weiterhin besteht, wenden Sie sich bitte an Ihren Händler.

4. Elektrische hintere Bremse funktioniert nicht

Grund: Der hintere Bremssensor ist defekt oder die elektrische Verkabelung ist gebrochen

Lösung: Überprüfen Sie die Integrität des Sensors und der elektrischen Verkabelung (neben der hinteren Aufhängung) visuell.

Wenn Sie das Gefühl haben, dass das Produkt nicht normal funktioniert, wenden Sie sich bitte an Ihren Händler oder Verteiler.

PRODUKTSPEZIFIKATIONEN

		BOOSTER PLUS
Spezifikationen	Größe -vollständig ausgebaut	1020*1160*380 mm
	Größe -vollständig gefaltet	970*330*145 mm
	Gewicht	10.9 Kg
Eigenschaft	Höchstlast	110 Kg
	Höchst-geschwindigkeit	30 Km/h
	Steigungs-kapazität	Bis zu 25 Grad
	Autonomie (Batterie vollgeladen)	höchstens 35 Km
		(variiert je nach Gewicht, Geschwindigkeit, Neigungsgrad, Windgeschwindigkeit, Straßenzustand, Temperatur und anderen Faktoren)
	Energieverbrauch	6.15 Wh - 7.5 Wh / Km
(variiert je nach Gewicht, Geschwindigkeit, Neigungsgrad, Windgeschwindigkeit, Straßenzustand, Temperatur und anderen Faktoren)		
Batterieparameter	Typ	Lithium-Polymer-Batterie
	Kapazität	33 V; 6,5 Ah
Motorparameter	Typ des Motors	Bürstenloser Gleichstrommotor
	Maximale Leistung des Motors	500 W
Ladegerät Parameter	Eingangsspannung	110 V/220 V
	Ladezeit (Ladegerät)	1.5-2 Stunden (3.5A)